

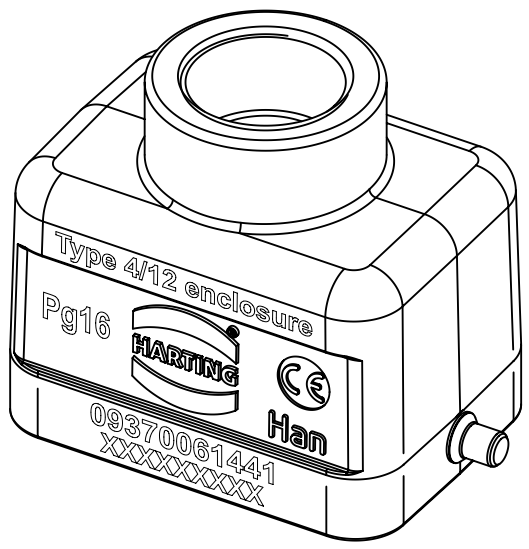
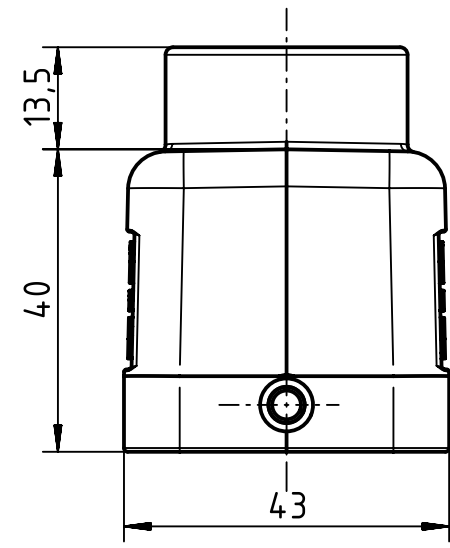
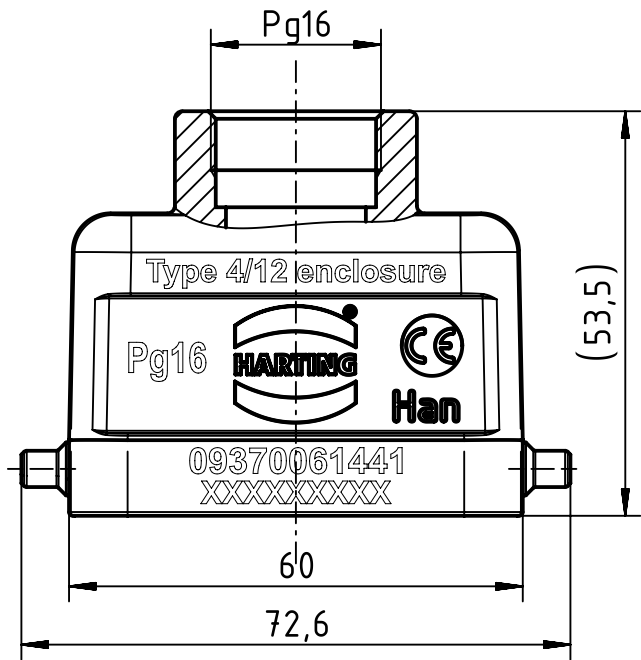
1 2 3 4 5 6

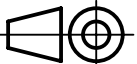

A

B

C

D



	All Dimensions in mm Original Size DIN A4		Scale 1:1	Free size tol.		Ref.		
						Sub.		
	All rights reserved		Created by HELLMANN	Inspected by GERB	Standardisation TIEMANNA	Date 2019-12-17	State Final Release	
	Department EL PD		Title Han M Hood Top Entry LC 2 Pegs PG 16				Doc-Key / ECM-Nr. 100201261/UGD/004/E 500000162710	
HARTING Electric GmbH & Co. KG D-32339 Espelkamp			Type TB	Number 09 37 006 1441			Rev. E	Page 1/1