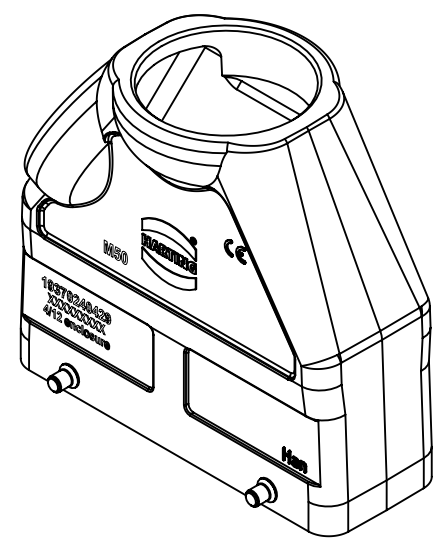
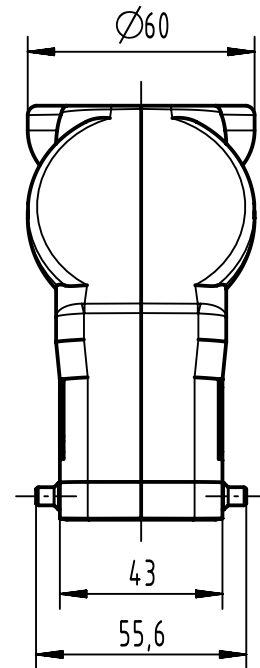
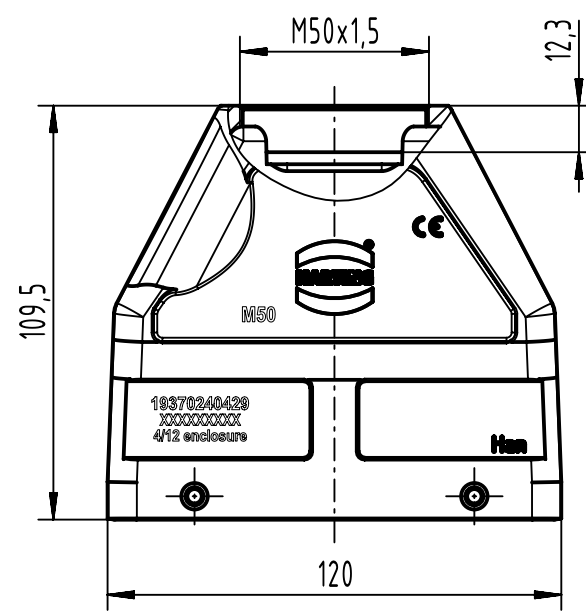


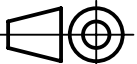

A

B

C

D



 All Dimensions in mm Original Size DIN A4	Scale	Free size tol.		Ref.	
	1:2			Sub.	
 All rights reserved Department EL PD	Created by	Inspected by	Standardisation	Date	State
	HOLLERT	RIEPE	302077	2021-04-28	Final Release
HARTING D-32339 Espelkamp	Title			Doc-Key / ECM-Nr.	
	Han 24M-HTE-EHC-M50 f. DL			100949776/UGD/005/A 500000193941	
Type		Number		Rev.	Page
TB		19 37 024 0429		A	1/1