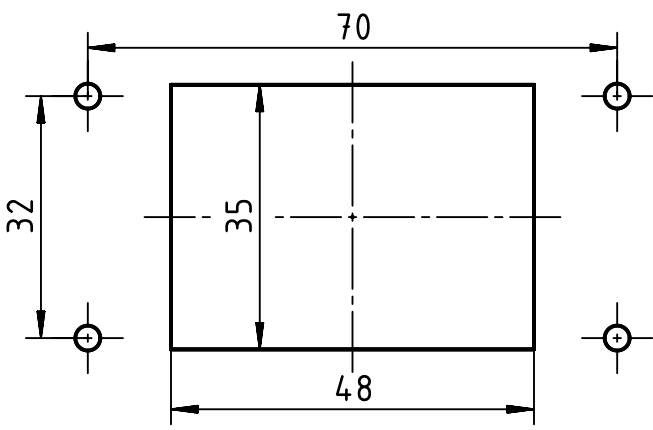


panel cut out



	All Dimensions in mm Original Size DIN A4	Scale 1:1	Free size tol.		Ref.	
	All rights reserved Department EL PD	Created by SPRENB	Inspected by GERB	Standardisation 302077	Date 2020-11-13	State Final Release
HARTING Electric GmbH & Co. KG D-32339 Espelkamp		Title Han EMC/B 6 Base Panel			Doc-Key / ECM-Nr. 100179933/UGD/004/C 500000178137	
		Type TB	Number 09 62 806 0301		Rev. C	Page 1/1