

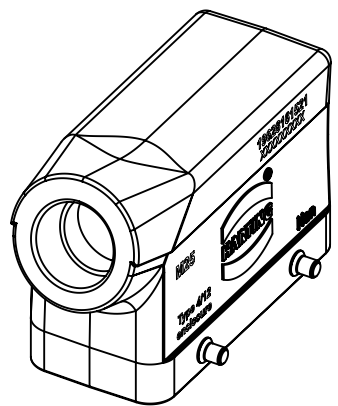
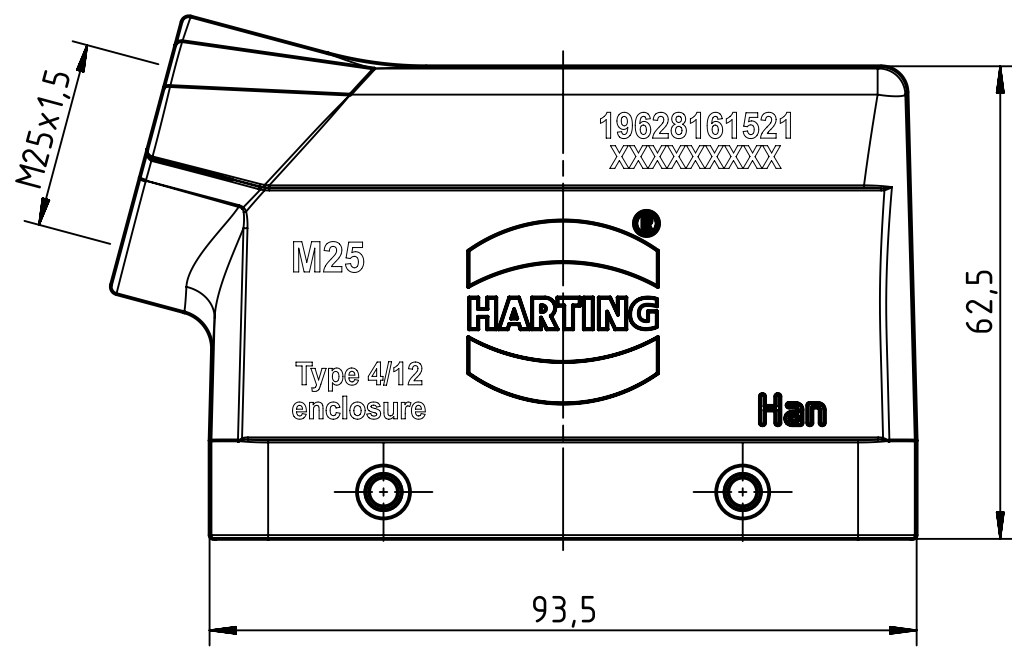
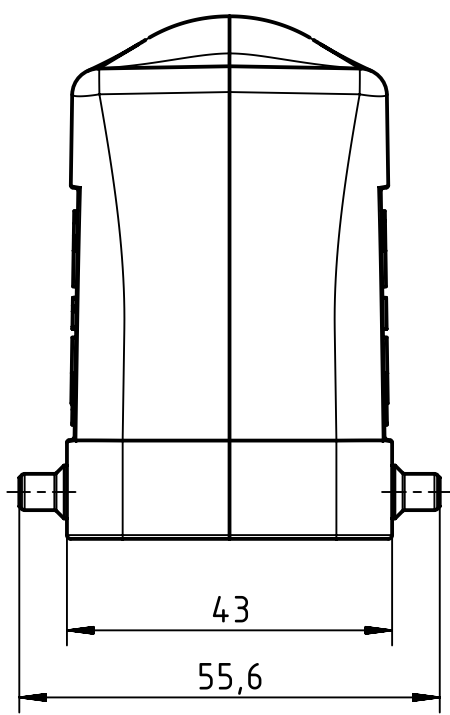
1 2 3 4 5 6

A

B

C

D



	All Dimensions in mm Original Size DIN A4		Scale 1:1	Free size tol.		Ref.	
						Sub.	
	All rights reserved		Created by SPRENB	Inspected by GERB	Standardisation RUETERA	Date 2020-01-06	State Final Release
	Department EL PD		Title Han 16EMC/B-HSE-M25 (HT)			Doc-Key / ECM-Nr. 100195259/UGD/004/E 500000163000	
HARTING Electric GmbH & Co. KG D-32339 Espelkamp			Type TB	Number 19 62 816 1521		Rev. E	Page 1/1