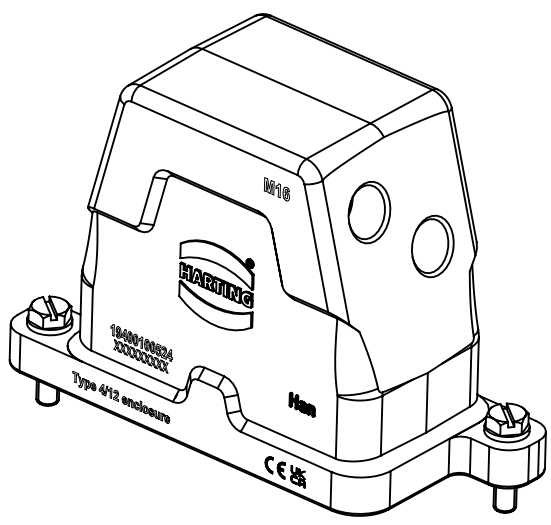
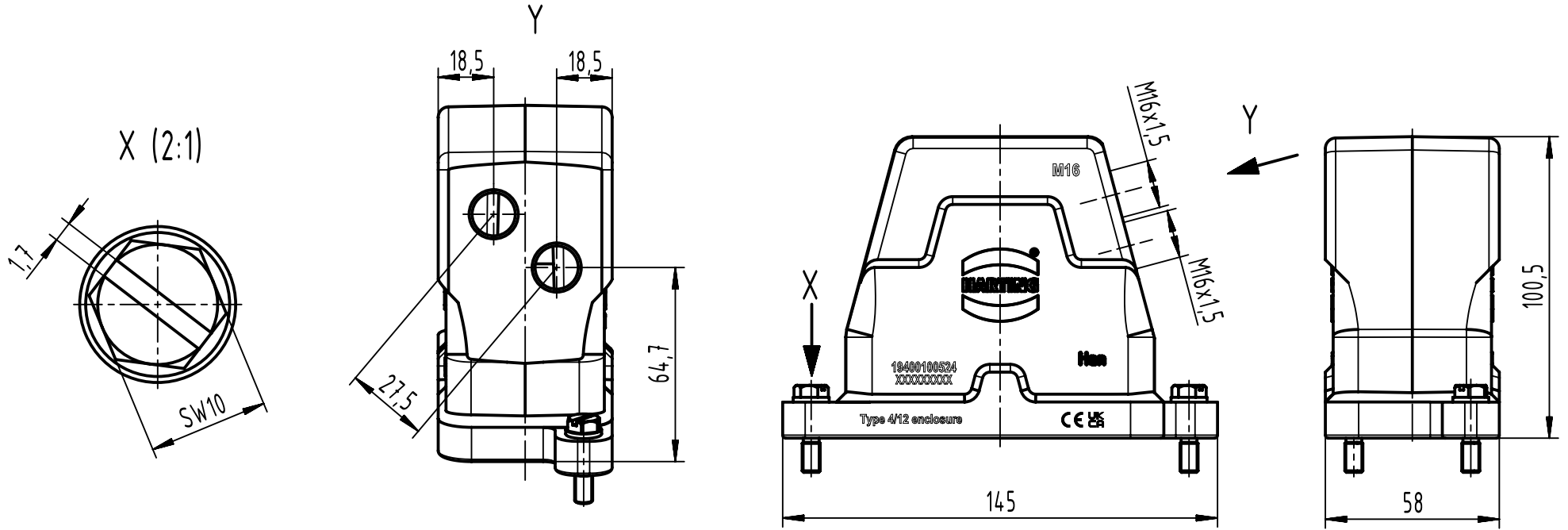
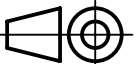



1 2 3 4 5 6

A
B
C
D



 All Dimensions in mm Original Size DIN A4	Scale	Free size tol.		Ref.	
	1:2			Sub.	
 All rights reserved Department EL PD	Created by	Inspected by	Standardisation	Date	State
	HELLMANN	3236		2023-10-09	Final Release
HARTING D-32339 Espelkamp	Title			Doc-Key / ECM-Nr.	
	Han 10HPR-HSE2-SCL-M16			101007337/UGD/001/C 500000253941	
Type		Number		Rev.	Page
TB		19 40 010 0524		C	1/1