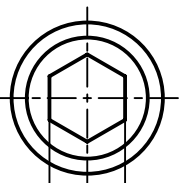


X (2:1) 2x



SW 5  
tightening  
torque  
min. 4Nm

X  
↓

19405101411  
XXXXXXXX

HARTING

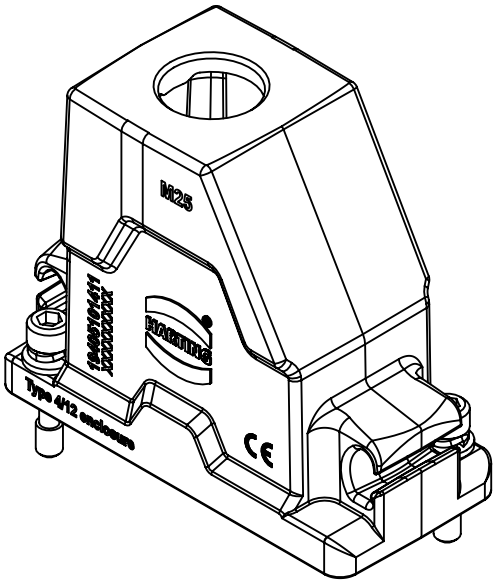
CE


Type 4/12 enclosure

108

89,6

50



	All rights reserved		Scale 1:1		Free size tol.		Ref.		
	Department EL PD		Created by WENE	Inspected by LUOK	Standardisation 302077	Date 2021-06-30	State Final Release		
HARTING D-32339 Espelkamp			Title Han 10HPR-Compact-HTE-LC-SCL-M25				Doc-Key / ECM-Nr. 100871861/UGD/001/C 500000197711		
			Type TB	Number 19 40 510 1411			Rev. C	Page 1/1	