

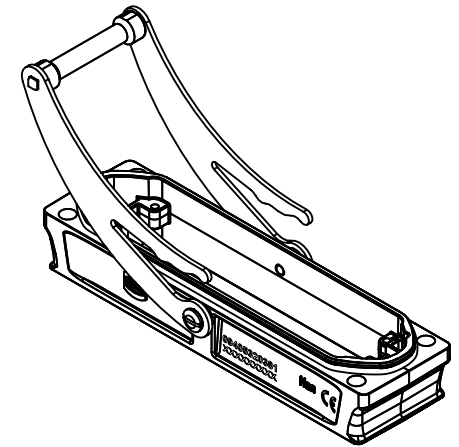
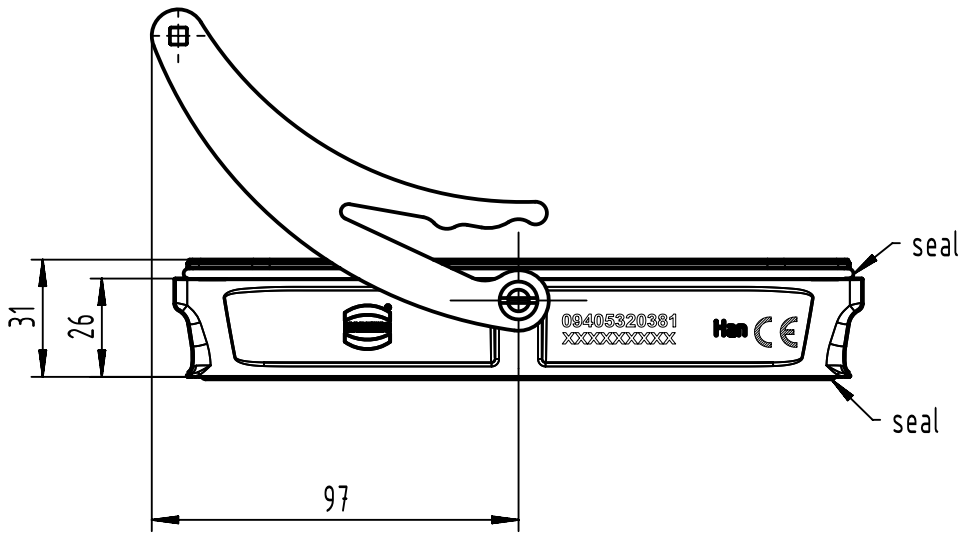
1 2 3 4 5 6

A

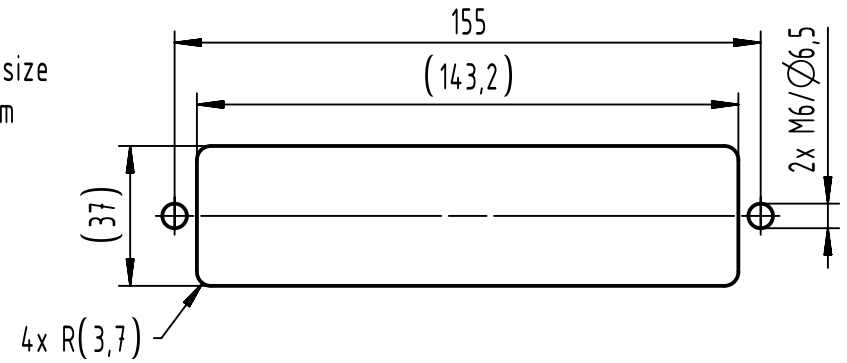
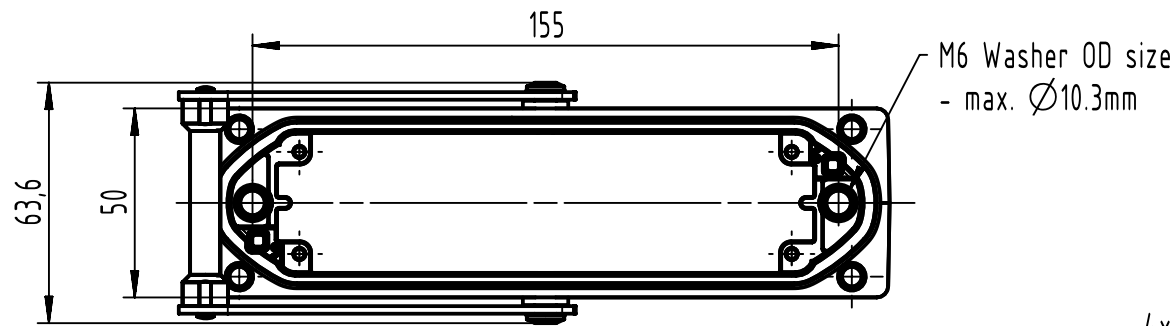
B

C

D



Panel cut out



	All Dimensions in mm Original Size DIN A4		Scale 1:1	Free size tol.		Ref.
						Sub.
	All rights reserved		Created by 408146 Haridas	Inspected by 402933 Krishnasamy	Standardisation RUETERA Rüter	Date 2023-10-12
	Department EL PD		Title Han L32 HPR-Compact-HBM-CL			State Final Release
HARTING D-32339 Espelkamp			Type TB	Number 09 40 532 0381		Doc-Key / ECM-Nr. 101048322/UGD/000/B 500000255422
					Rev. B	Page 1/1