

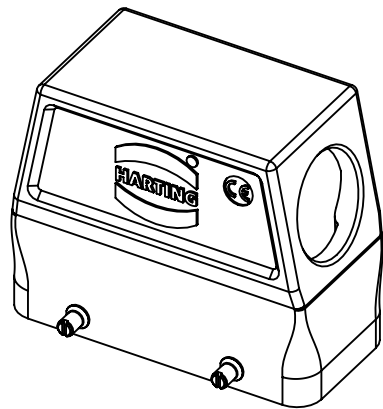
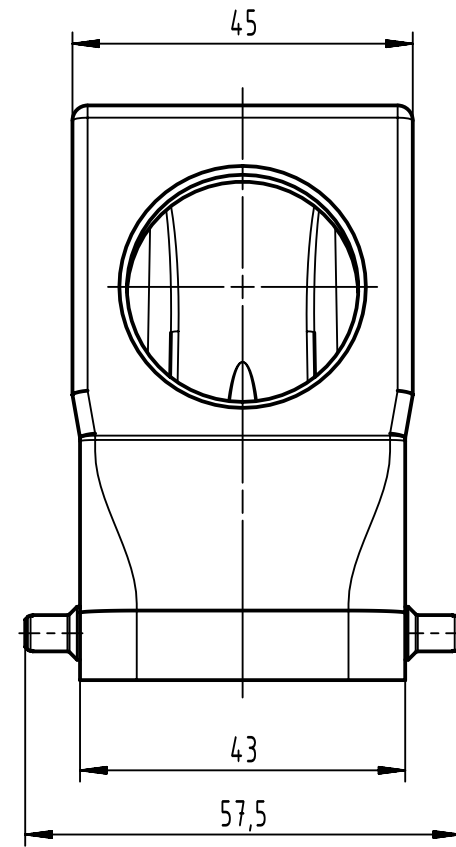
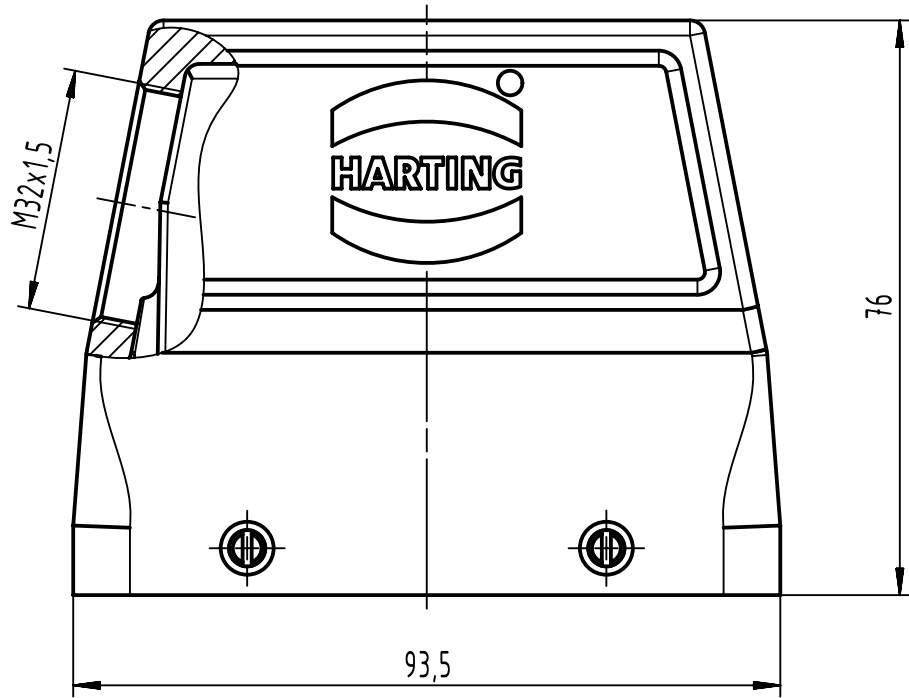
1 2 3 4 5 6

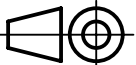

A

B

C

D



 All Dimensions in mm Original Size DIN A4	Scale	Free size tol.		Ref.	
	1:1			Sub.	
 All rights reserved Department EL PD	Created by	Inspected by	Standardisation	Date	State
	BALSAN	402625	SAP_WFRT	2022-10-24	Final Release
HARTING D-32339 Espelkamp	Title				Doc-Key / ECM-Nr.
	Han 16B HSE INOX side entry M32				100922555/UGD/001/B 500000228336
Type	Number	Rev.		Page	
TB	19 44 016 0527	B		1/1	