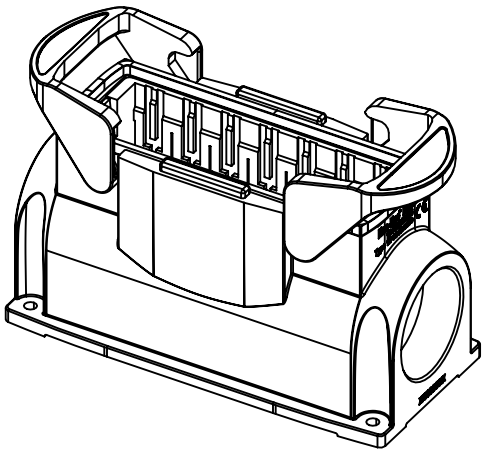
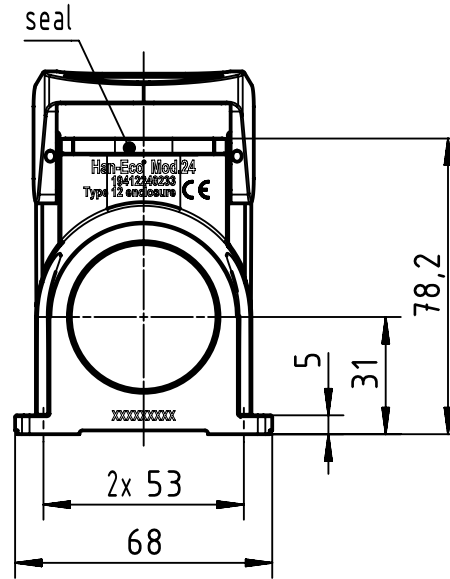
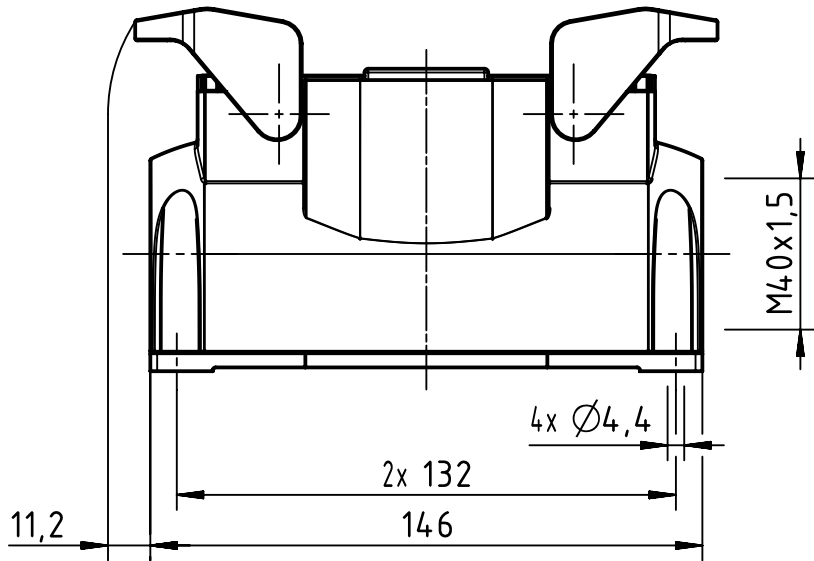


A

B

C

D



holding frame is enclosed

	All Dimensions in mm Original Size DIN A4		Scale 1:2	Free size tol.		Ref.		
						Sub.		
	All rights reserved		Created by 402918	Inspected by 402602	Standardisation 302077	Date 2021-03-08	State Final Release	
	Department EL PD		Title Han-Eco Mod.24 Outd.-HSM1-M40				Doc-Key / ECM-Nr. 100216514/UGD/008/F 500000190514	
HARTING D-32339 Espelkamp			Type TB	Number 19 41 224 0233			Rev. F	Page 1/1