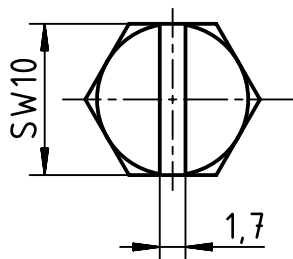
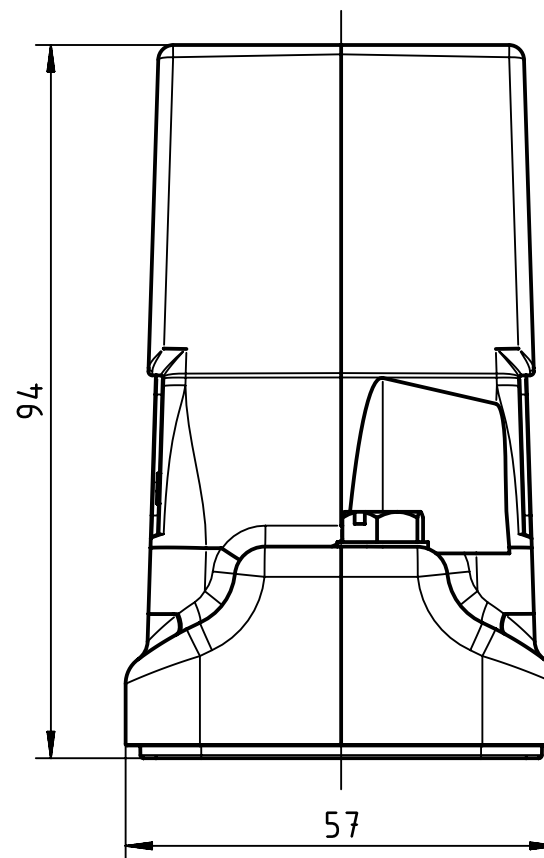
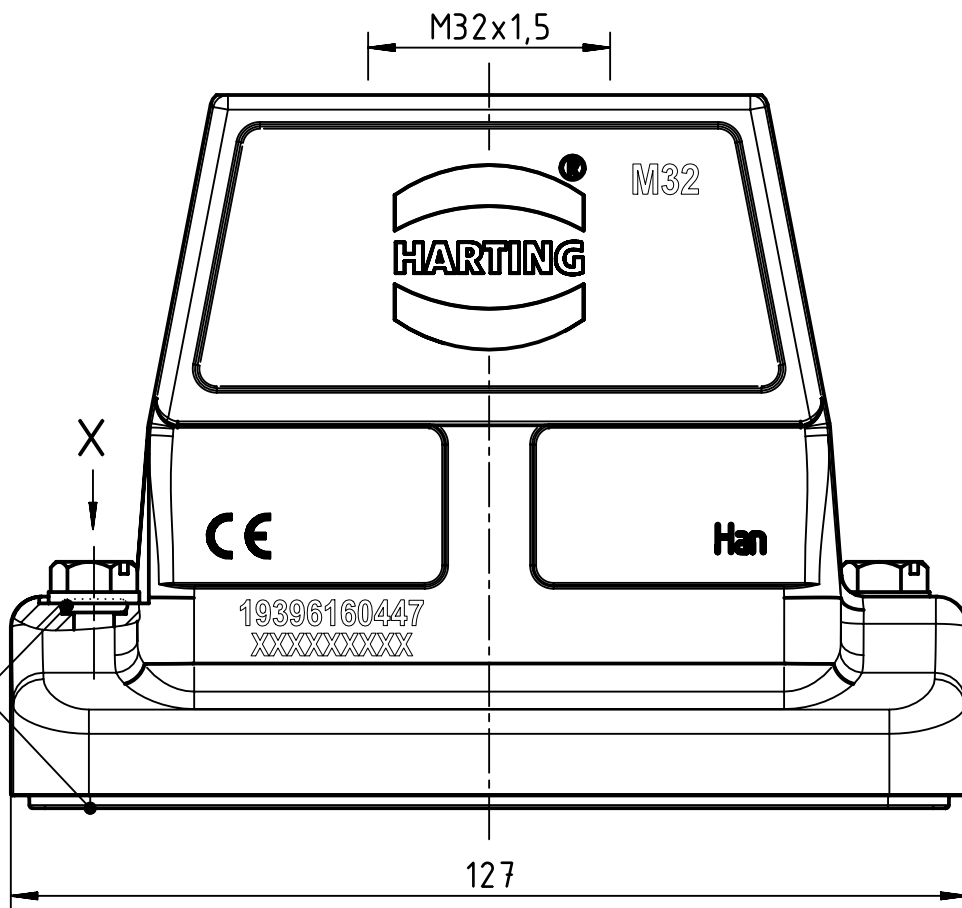


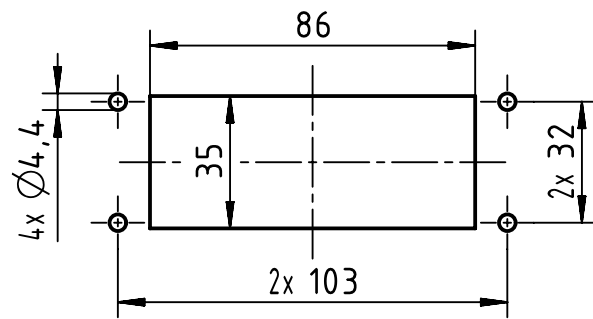
X (2:1)



Seal



Panel cut out (1:2)



	All rights reserved Department EL PD	All Dimensions in mm Original Size DIN A4		Scale 1:1	Free size tol.	Ref.
		HARTING (Zhuhai) Manufacturing Co., Ltd. 519085 Zhuhai, China	Created by ZHUANGJ	Inspected by LUOK	Standardisation ROEBEN	Date 2021-11-23
Title Han 16HP Direct/B-HTE-M32						Doc-Key / ECM-Nr. 100632927/UGD/004/G 500000206678
Type TB				Number 19 39 616 0447		Rev. G
						Page 1/1