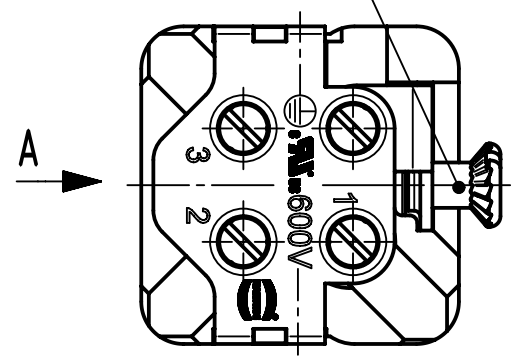
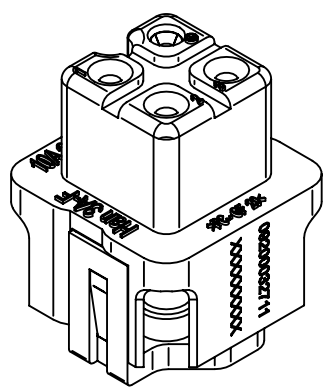
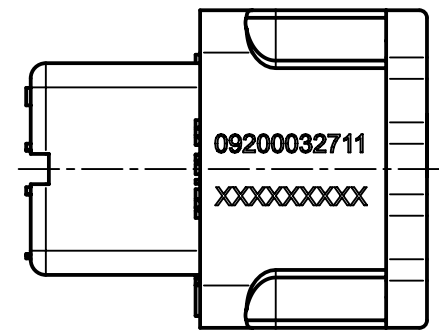



countersunk screw M3x6-4,8
enclosed separately



A



	All rights reserved Department EL PD	All Dimensions in mm Original Size DIN A4		Scale 2:1	Free size tol.	Ref.
		Created by 404440	Inspected by BALSAN	Standardisation	Date 2023-12-12	State Final Release
HARTING D-32339 Espelkamp		Title Han 3A F Insert Screw			Doc-Key / ECM-Nr. 100087144/UGD/005/E 500000259562	
		Type TB	Number 09 20 003 2711		Rev. E	Page 1/1