

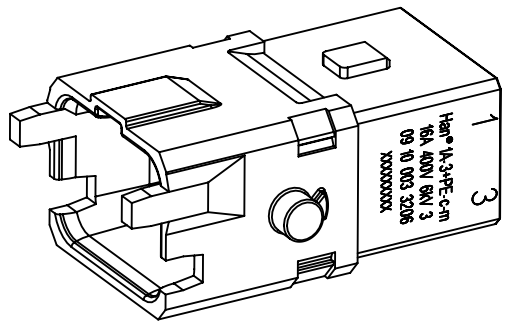
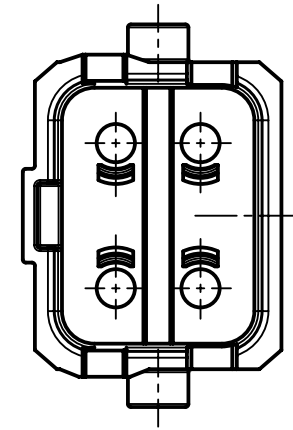
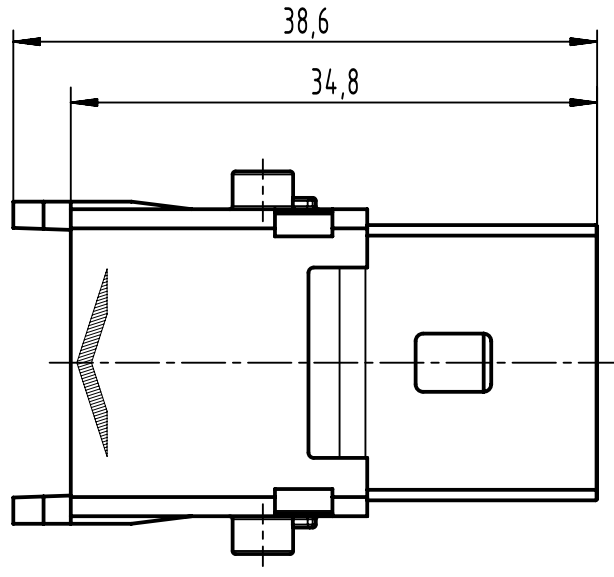
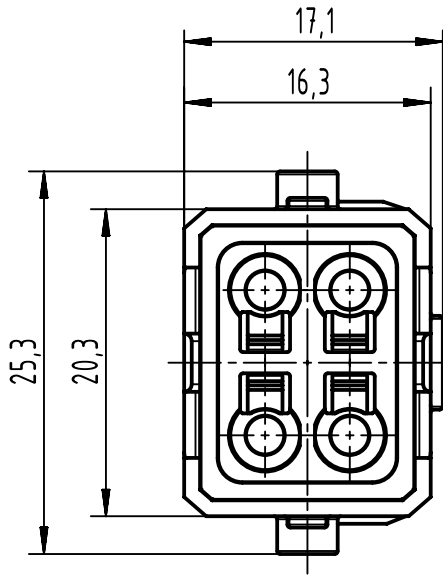
1 2 3 4 5 6

A

B

C

D



	All Dimensions in mm Original Size DIN A4		Scale 2:1	Free size tol.		Ref.
			Created by 00103428	Inspected by HERBRECHTSME	Standardisation	Sub.
All rights reserved		Department EL PD		Date 2021-07-27	State Final Release	
HARTING D-32339 Espelkamp		Title Han 1A-3+PE-c-m			Doc-Key / ECM-Nr. 100760771/UGD/001/D 500000196013	
		Type TB	Number 09 10 003 3206		Rev. D	Page 1/1