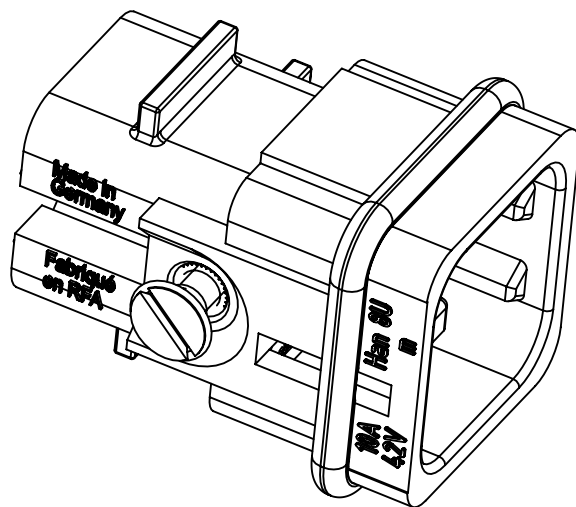
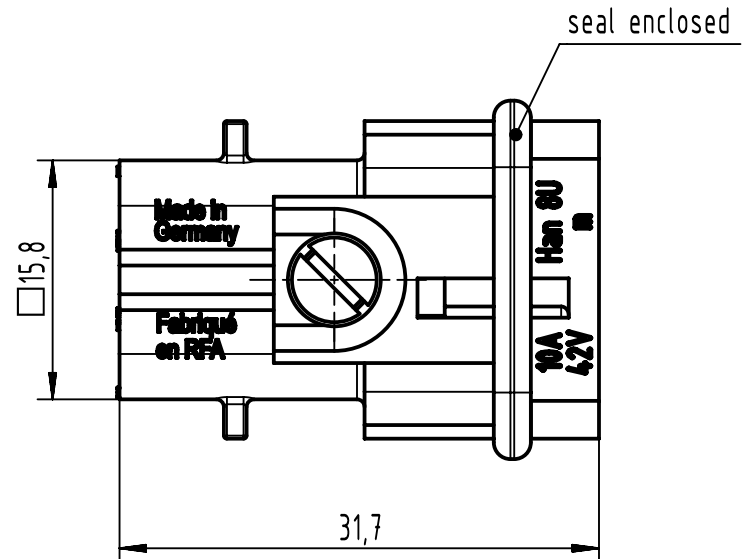
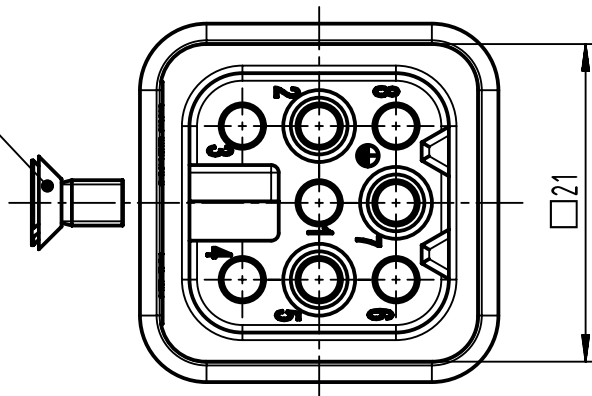
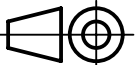



insert sealing screw
is enclosed separately



	All Dimensions in mm Original Size DIN A4		Scale 2:1	Free size tol.		Ref.		
			All rights reserved Department EL PD	Created by HOLLERT	Inspected by RIEPE	Standardisation 302077	Date 2021-07-09	State Final Release
HARTING D-32339 Espelkamp			Title Han 8D male insert crimp w. sealing scre				Doc-Key / ECM-Nr. 100960095/UGD/005/B 500000198744	
			Type TB	Number 09 36 008 3006			Rev. B	Page 1/1