

1 2 3 4 5 6

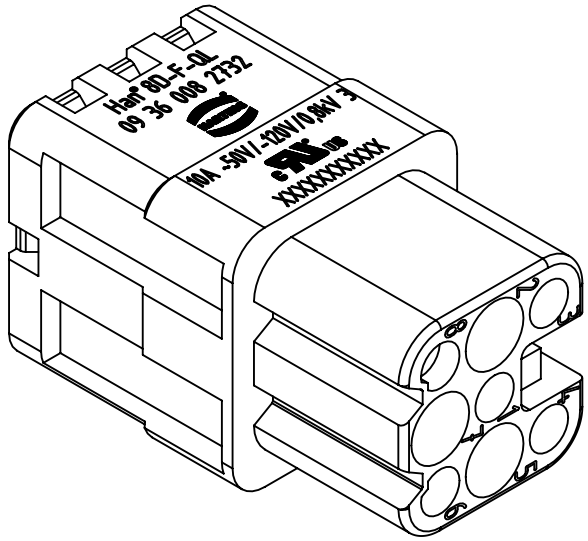
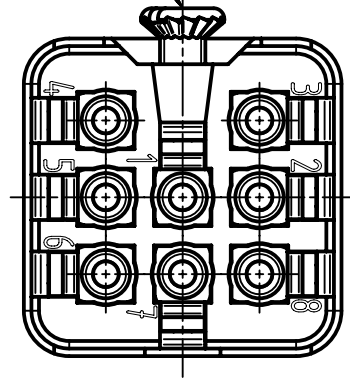
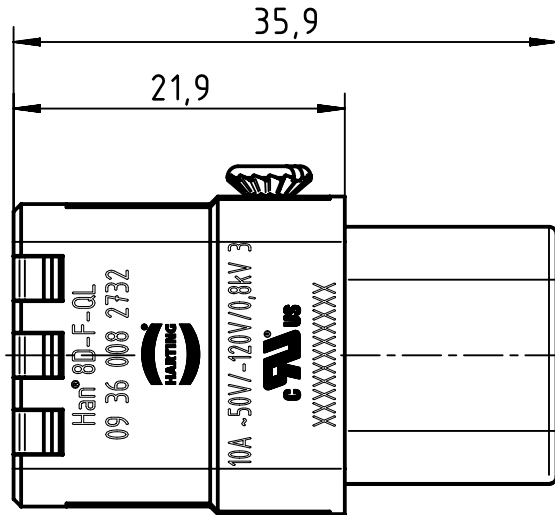
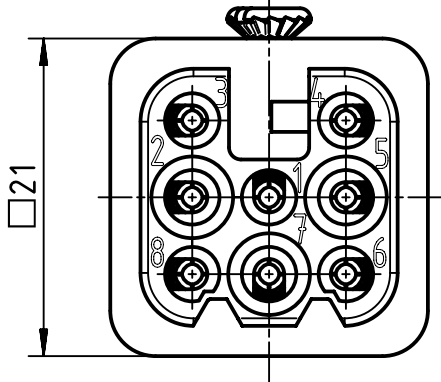
A

B

C

D

insert fixing screw M3x6  
separately enclosed



	All Dimensions in mm Original Size DIN A4		Scale 2:1	Free size tol.		Ref.
						Sub.
	All rights reserved		Created by HOLLERT	Inspected by NICHTERLEIN	Standardisation 302077	Date 2020-10-29
	Department EL PD		Title Han 8D-F Quick Lock 1,5mm <sup>2</sup>			State Final Release
HARTING Electric GmbH & Co. KG D-32339 Espelkamp			Type TB	Number 09 36 008 2732		Doc-Key / ECM-Nr. 100172085/UGD/005/B 500000169457
					Rev. B	Page 1/1