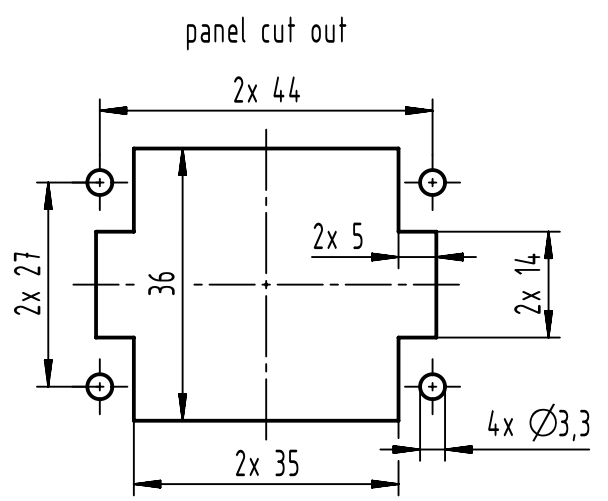
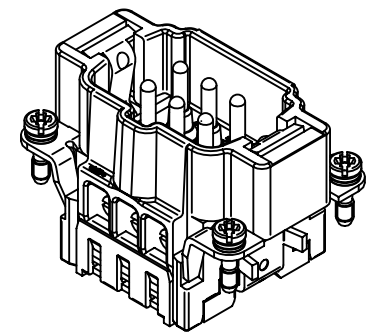
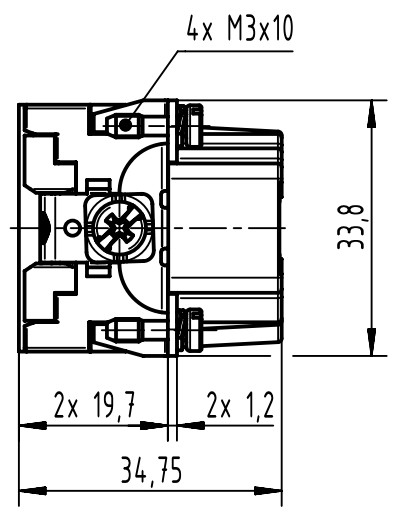
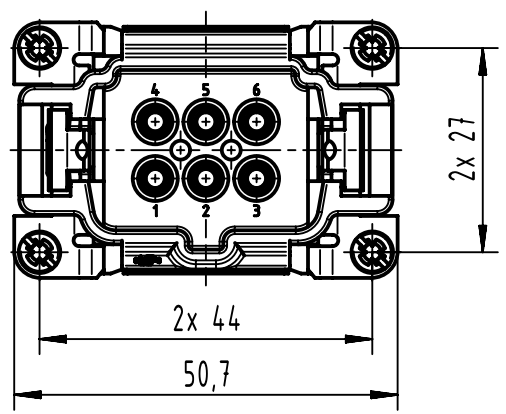


A

B

C

D



	All Dimensions in mm Original Size DIN A4		Scale 1:1	Free size tol.		Ref.
	All rights reserved Department EL PD		Created by 402918	Inspected by 402602	Standardisation	Sub.
HARTING D-32339 Espelkamp		Title Han High Temp 6E-s Male			Date 2021-11-08	State Final Release
					Doc-Key / ECM-Nr. 100620315/UGD/001/B 500000204754	Rev. B
					Type TB	Number 09 33 806 2603
					Page 1/1	