

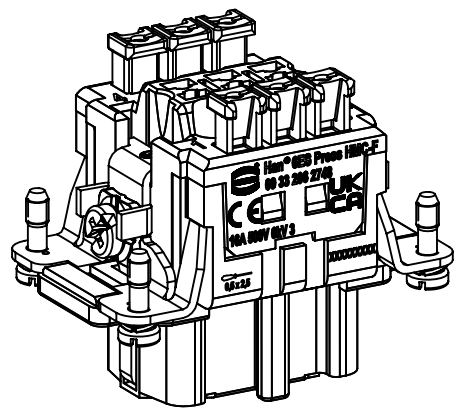
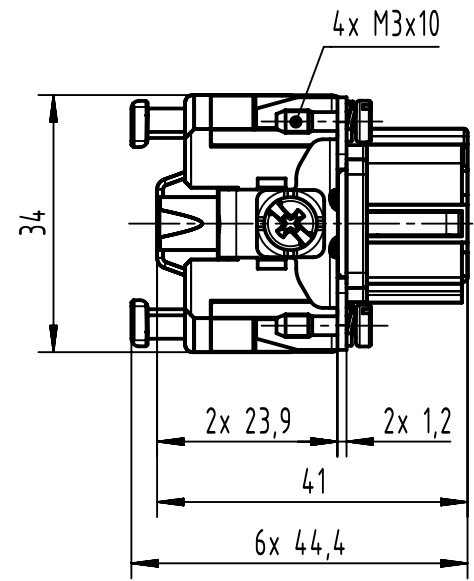
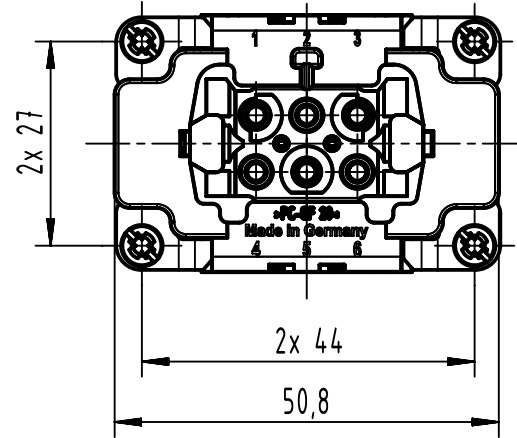
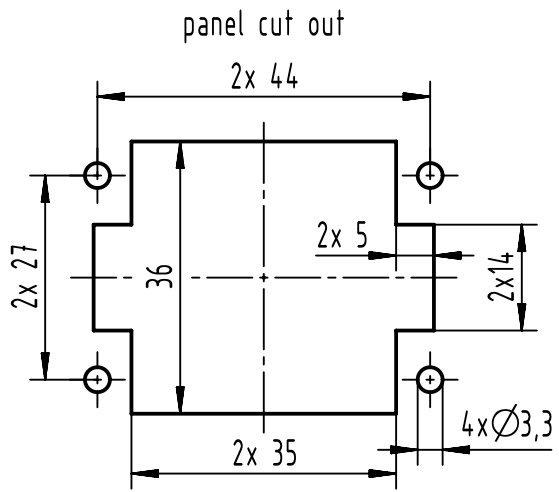
1 2 3 4 5 6

A

B

C

D



	All rights reserved Department EL PD	All Dimensions in mm Original Size DIN A4		Scale 1:1	Free size tol.	Ref. Sub.
		Created by SPRENB	Inspected by RUETERA	Standardisation SAP_WFRT	Date 2022-03-09	State Final Release
HARTING D-32339 Espelkamp		Title Han 6ES Press HMC-F			Doc-Key / ECM-Nr. 100761809/UGD/001/D 500000212394	
		Type TB	Number 09 33 206 2748		Rev. D	Page 1/1