

5

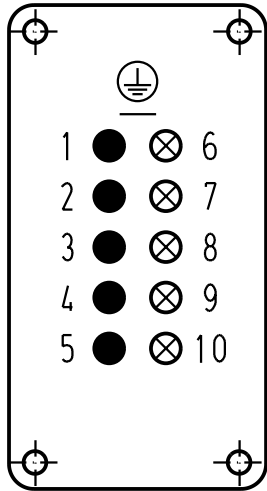
4

3

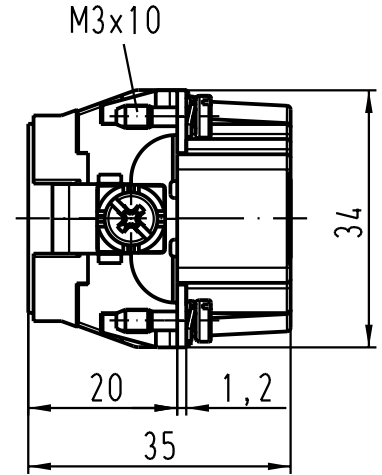
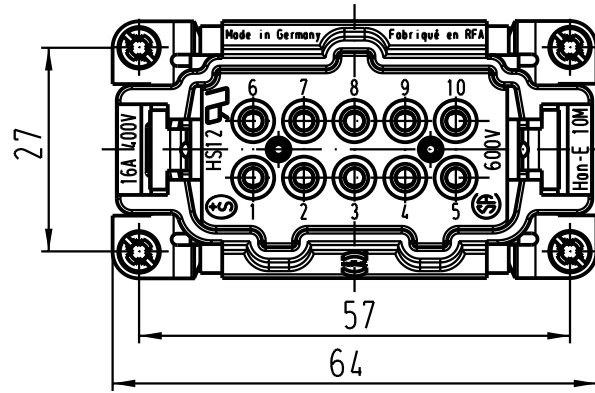
2

1

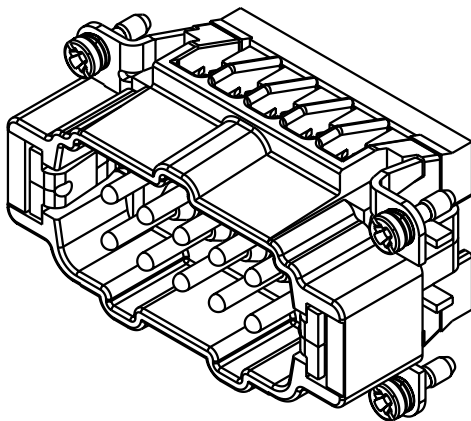
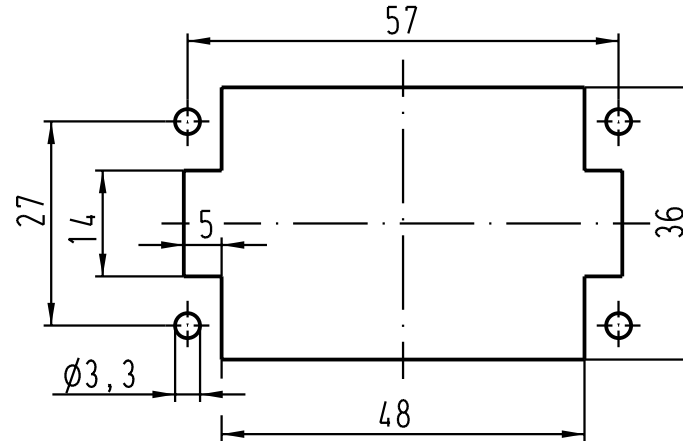
Kontaktanordnung
(Ansicht Anschlussseite)
*contact arrangement
(view from termination side)*



- Kontakte Fe (vergoldet)
contacts Fe (goldplated)
- ⊗ Kontakte CuNi
contacts CuNi



Montageausschnitt /
panel cut out



| | | | | | | |
|---|------|--------------------------------|-------------------|------|--|---|
| All Dimensions in mm Original Size DIN A 4 | | Techn. Character. | | | Nicht tolerierte Masse! Free size tolerances | |
| | | | Dat. | Name | Maßstab/Scale 1:1 | Han 10E-M-s Stifteinsatz / male insert |
| | | Detail. | 19.09.03 | Ho | | |
| | | Insp. | | KR | | |
| | | Stand. | | | | |
| 410694 | | HARTING Electric GmbH & Co. KG | | | | TB 09 33 010 2691 |
| Mod. | Dat. | Name | D-32339 Espelkamp | | | |
| Sub. TB 09 33 010 2691 v. 23.03.93 | | | | | | Blatt/page |

D

C

B

A