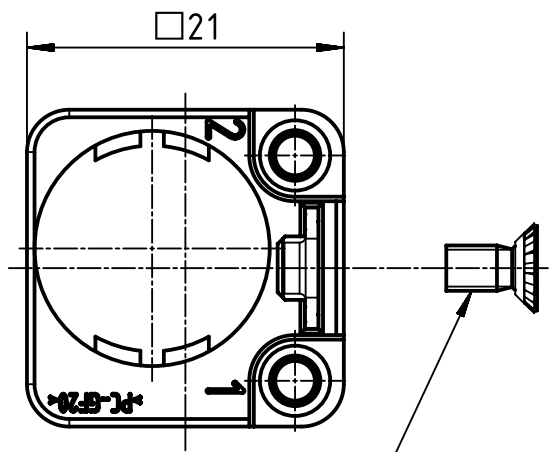
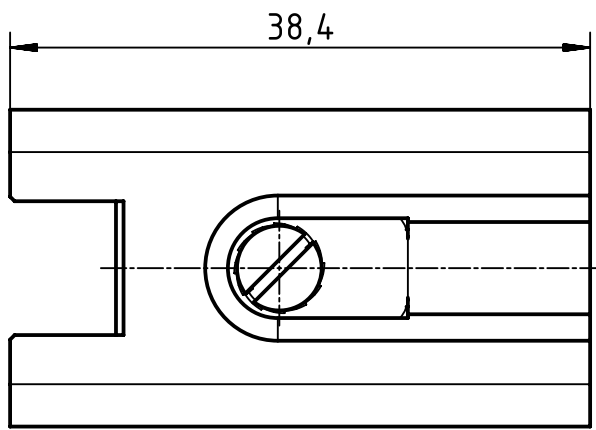


A

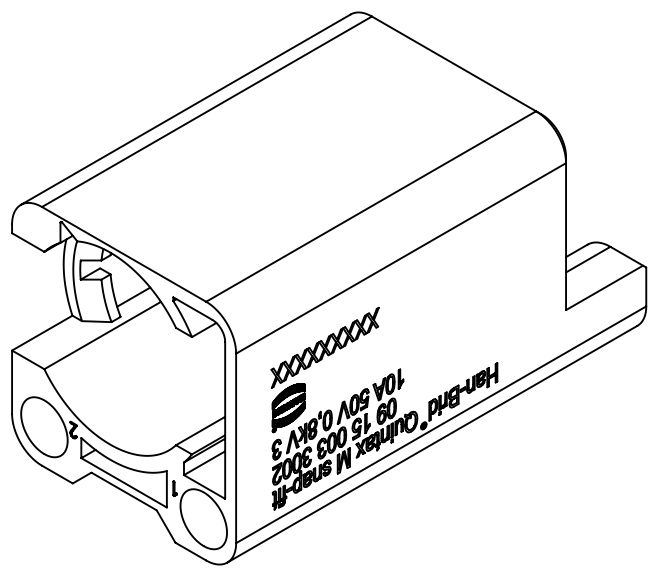
B

C

D



insert fixing screw
is enclosed



	All Dimensions in mm Original Size DIN A4		Scale 2:1	Free size tol.		Ref.
			Created by FINKEV	Inspected by RIEPE	Standardisation RUETERA	Sub.
All rights reserved Department EL PD		Title Han-Brid Quintax M snap-fit		Date 2019-03-06		State Final Release
HARTING Electric GmbH & Co. KG D-32339 Espelkamp		Type TB		Number 09 15 003 3002		Doc-Key / ECM-Nr. 100743018/UGD/001/B 50000014.8468
				Rev. B		Page 1/1