

1 2 3 4 5 6

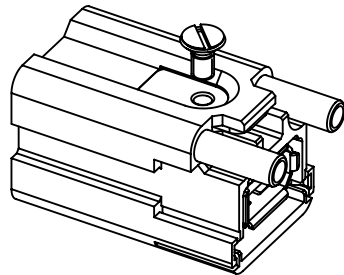
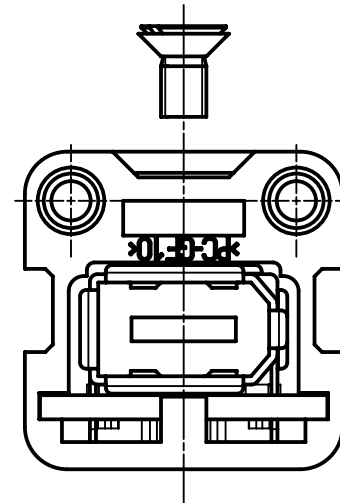
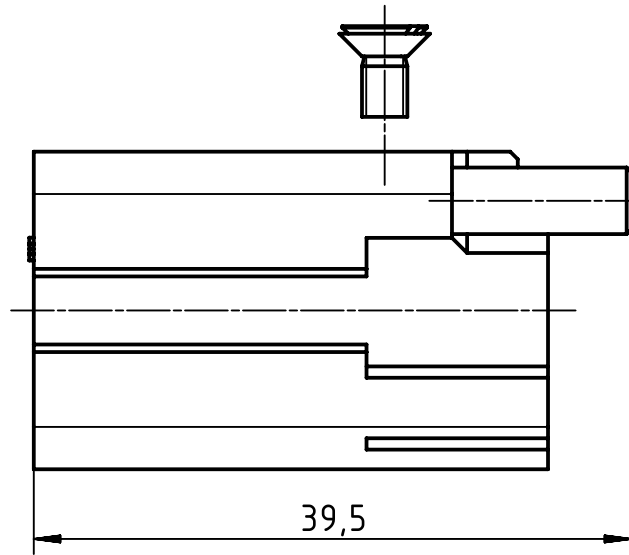
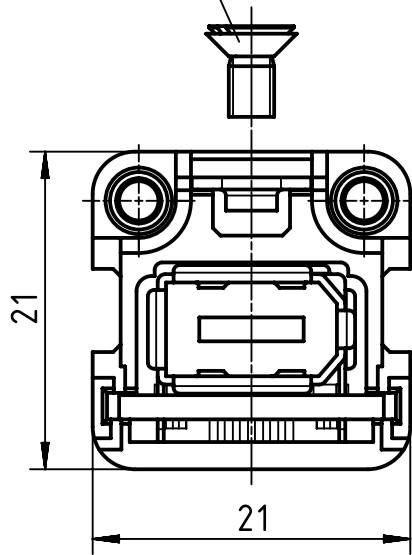
A

B

C

D

M3 screw  
enclosed separately



	All Dimensions in mm Original Size DIN A4		Scale 2:1	Free size tol.		Ref. Sub. TB 09 12 001 2774 v. 21.02.06	
		All rights reserved Department EL PD		Created by SPRENB	Inspected by RIEPE	Standardisation GARSKE	Date 2019-05-15
HARTING Electric GmbH & Co. KG D-32339 Espelkamp		Title Han Brid-Firewire-F Wanddurchführung				Doc-Key / ECM-Nr. 100102358/UGD/006/A 500000151709	
		Type TB	Number 09 12 001 2774			Rev. A	Page 1/1