

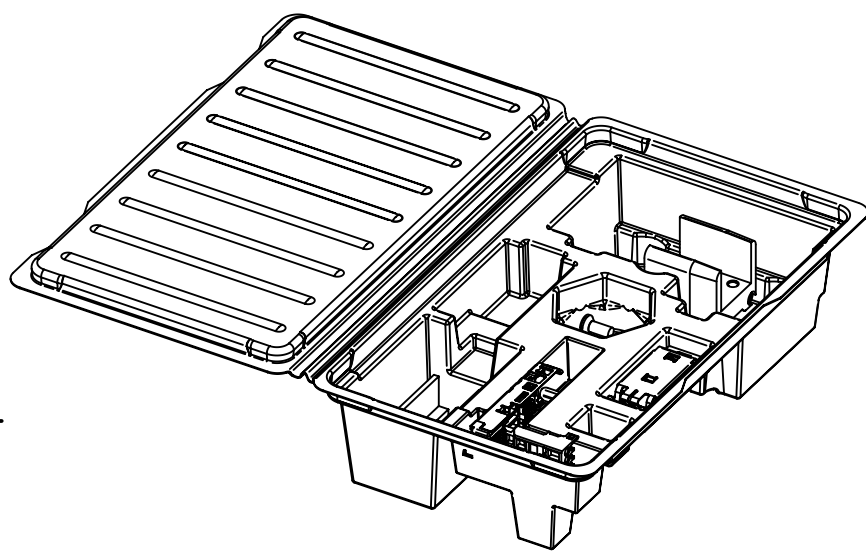
1 2 3 4 5 6

A

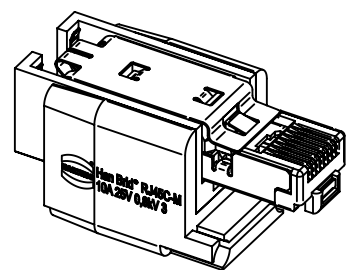
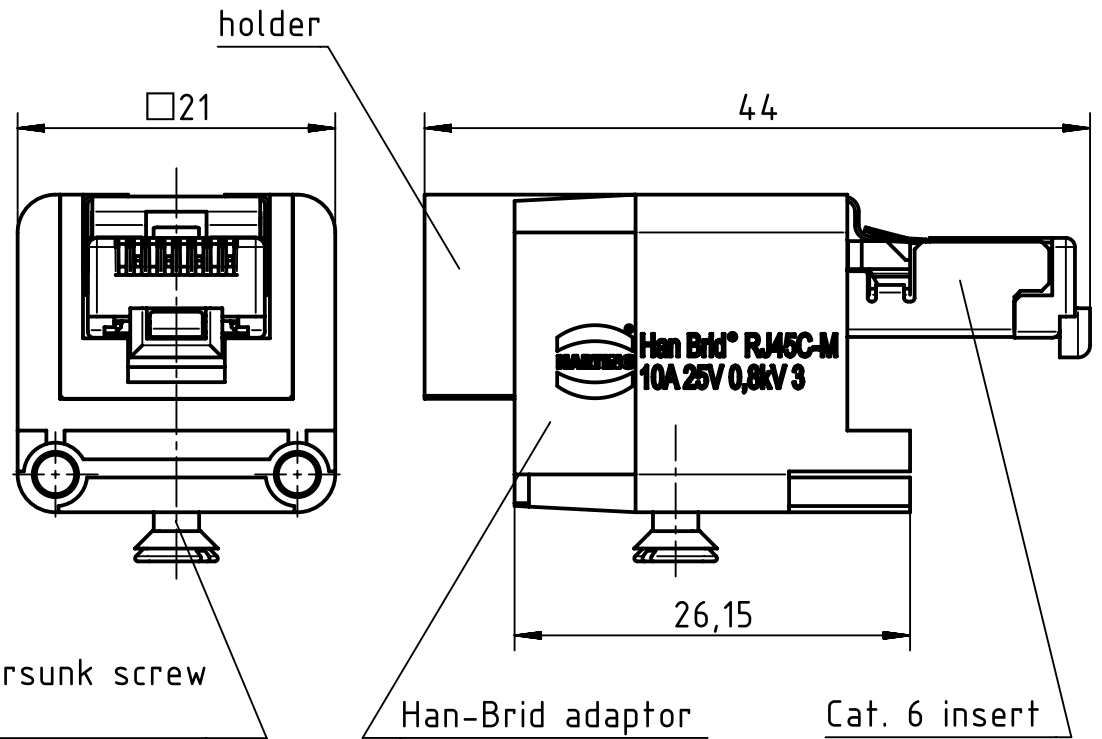
B

C

D



individual parts packed in blister



	All Dimensions in mm Original Size DIN A4		Scale 2:1	Free size tol.		Ref.
			Created by HOLLERT	Inspected by RIEPE	Standardisation SCHMIDTM	Date 2015-08-19
All rights reserved Department EL PD - DE		Title Han-Brid RJ45C-M-RJ industrial 10G		State Final Release		Doc-Key / ECM-Nr. 100571272/UGD/001/A 500000072615
HARTING Electric GmbH & Co. KG D-32339 Espelkamp		Type TB	Number 09 12 003 3015		Rev. A	Page 1/1