

1 2 3 4 5 6

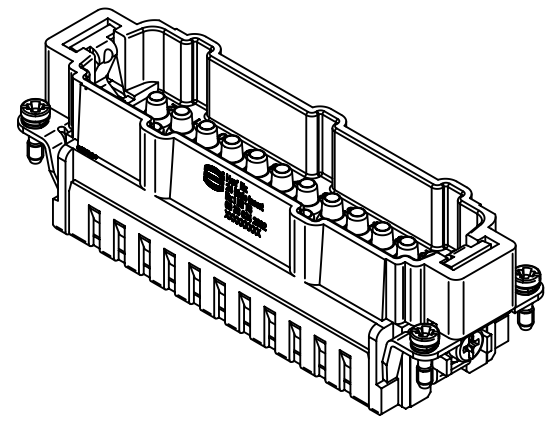
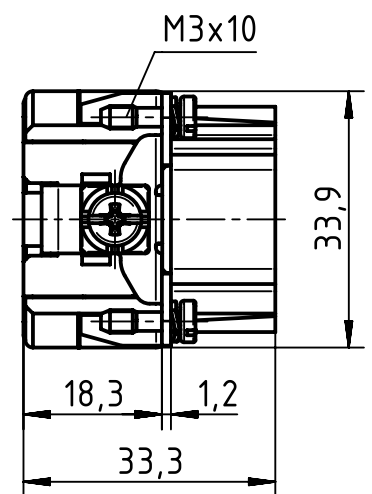
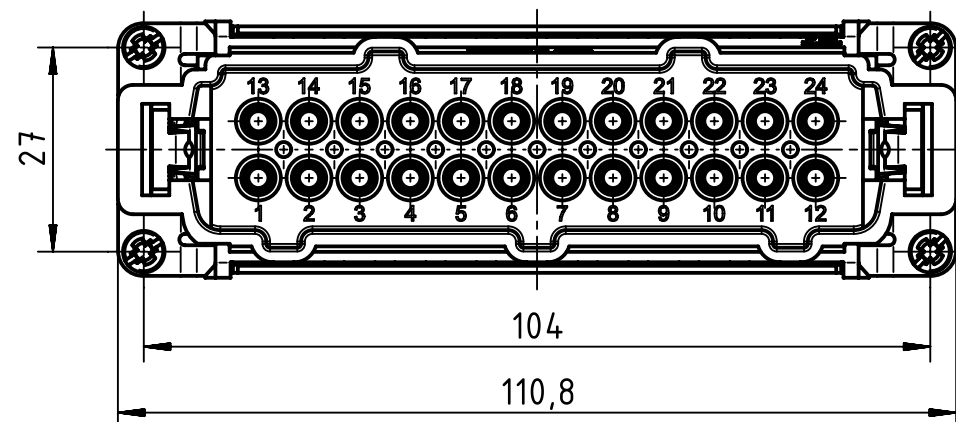
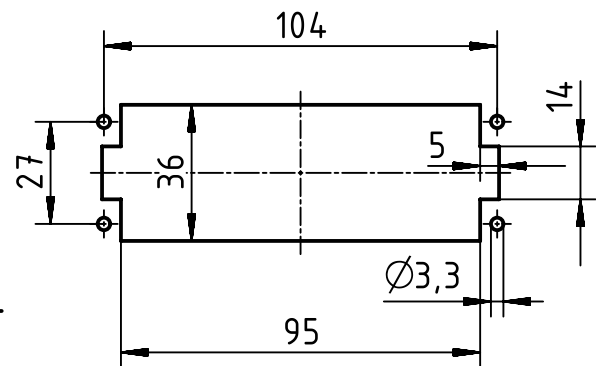
A

B

C

D

panel cut out (1:2)



	All Dimensions in mm Original Size DIN A4		Scale 1:1	Free size tol.		Ref.
						Sub.
	All rights reserved Department EL PD - DE		Created by KLASSEN P	Inspected by BERGHORN	Standardisation RUETERA	Date 2017-04-13
	HARTING Electric GmbH & Co. KG D-32339 Espelkamp		Title Han 24Ex-M-c			State Final Release
			Type TB	Number 09 36 024 2602		Rev. B
						Page 1/1