

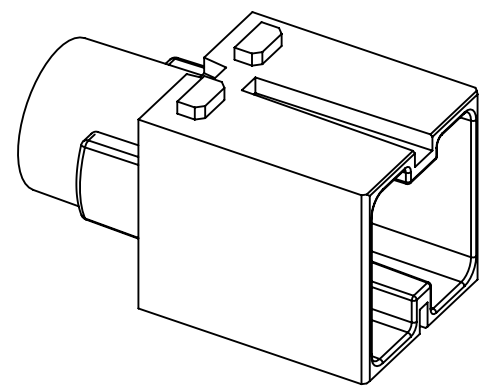
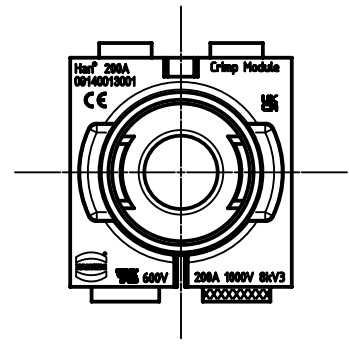
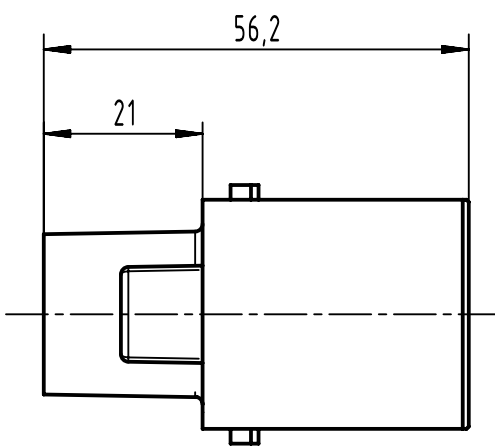
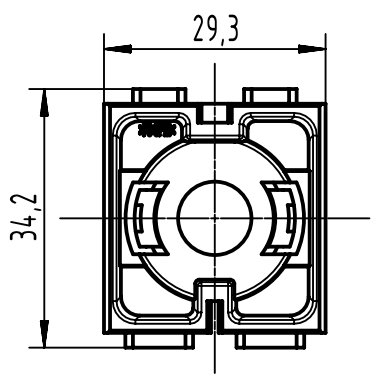
1 2 3 4 5 6


A

B

C

D



	All rights reserved Department EL PD		Created by MEYERLE	Inspected by SUNDERMEIER	Standardisation	Date 2022-10-21	State Final Release	
	HARTING D-32339 Espelkamp		Title Han 200A crimp module, male				Doc-Key / ECM-Nr. 100568964 / UGD/000/C 500000228119	
			Type TB	Number 09 14 001 3001			Rev. C	Page 1/1