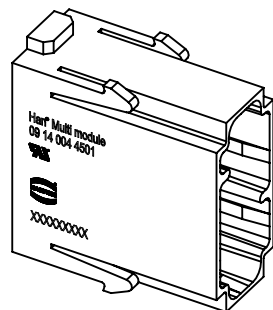
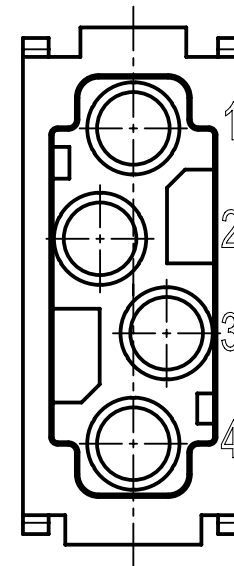
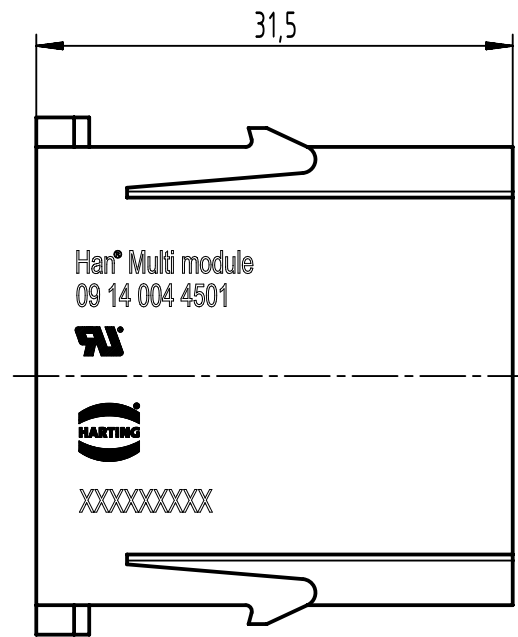
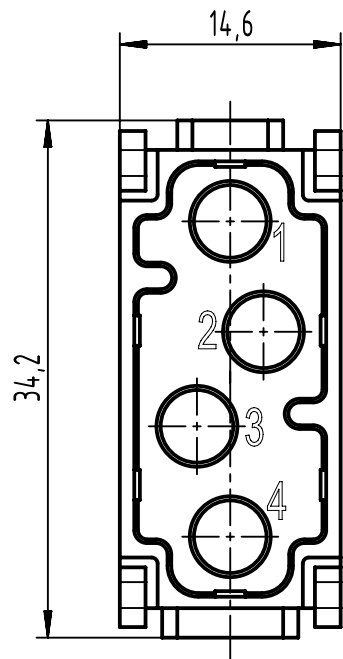
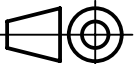



1 2 3 4 5 6

A  
B  
C  
D



 All Dimensions in mm Original Size DIN A4	Scale	Free size tol.			Ref.	
	2:1				Sub.	
 All rights reserved Department EL PD	Created by	Inspected by	Standardisation	Date	State	
	HOLLERT	SUNDERMEIER		2023-03-22	Final Release	
HARTING D-32339 Espelkamp	Title				Doc-Key / ECM-Nr.	
	Han Multi module, male				101039899/UGD/000/B 50000024.0122	
Type		Number		Rev.	Page	
TB		09 14 004 4501		B	1/1	