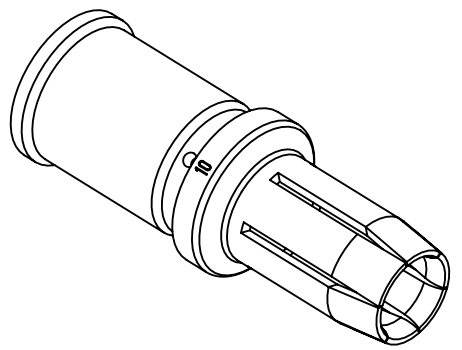
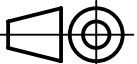



assembly notes see catalogue  
 crimp zone acc. to DIN EN 46235; indicator 10  
 for stranded fine wire acc. to VDE 0295 class 5/ IEC 60228 class 5  
 wire gauge: 25mm<sup>2</sup>  
 stripping length: 15,5mm



 All Dimensions in mm Original Size DIN A4	Scale	Free size tol.		Ref.	
	2:1			Sub.	
 All rights reserved Department EL PD	Created by	Inspected by	Standardisation	Date	State
	HELLMANN	NICHTERLEIN	SAP_WFRT	2022-10-10	Final Release
HARTING D-32339 Espelkamp	Title			Doc-Key / ECM-Nr.	
	Han TC70 female contact 25mm <sup>2</sup>			10018394.7/UGD/004/D 500000224.804	
Type		Number		Rev.	Page
TB		09 11 000 6233		D	1/1