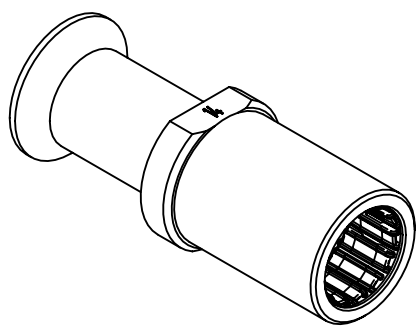


assembly notes see catalog  
 crimp zone acc. to DIN EN 46235; indicator 14  
 for stranded fine wire acc. to VDE 0295 class 5/IEC 60228 class 5  
 wire gauge: 50mm<sup>2</sup>  
 stripping length: 28mm



 All Dimensions in mm Original Size DIN A4	Scale	Free size tol.		Ref.	
	2:1			Sub.	
 All rights reserved Department EL PD	Created by	Inspected by	Standardisation	Date	State
	HELLMANN	RIEPE	SAP_WFRT	2022-09-21	Final Release
HARTING D-32339 Espelkamp	Title			Doc-Key / ECM-Nr.	
	Han TC350 Buchsenkontakt 50mm <sup>2</sup>			100175134/UGD/006/B 500000224.798	
Type		Number		Rev.	Page
TB		09 11 000 6241		B	1/1