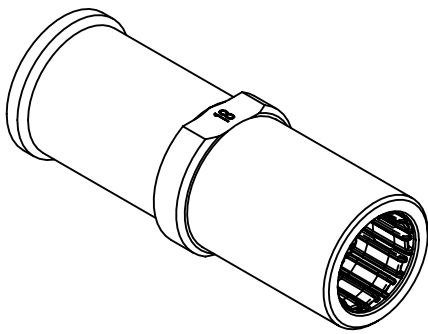



assembly notes see catalog  
 crimp zone acc. to DIN EN 46235; indicator 18  
 for stranded fine wire acc. to VDE 0295 class 5/IEC 60228 class 5  
 wire gauge: 95mm<sup>2</sup>  
 stripping length: 30mm



	All rights reserved Department EL PD	All Dimensions in mm Original Size DIN A4	Scale 2:1	Free size tol.	Ref.	
		HARTING D-32339 Espelkamp	Created by HELLMANN	Inspected by RIEPE	Standardisation SAP_WFRT	Date 2022-09-21
Title Han TC350 female contact 95mm <sup>2</sup>					Doc-Key / ECM-Nr. 100175139/UGD/006/C 500000224.798	
			Type TB	Number 09 11 000 6243	Rev. C	Page 1/1