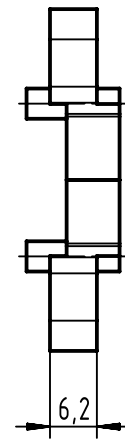
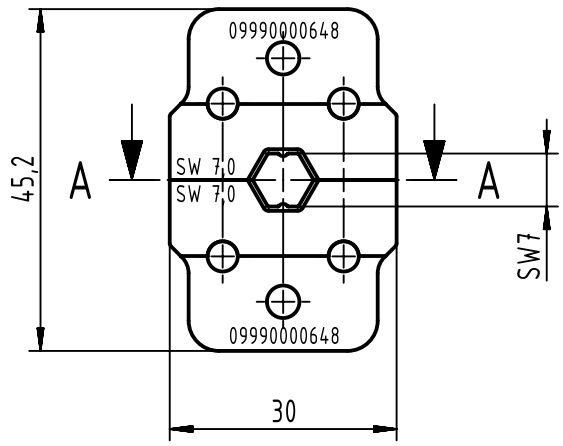
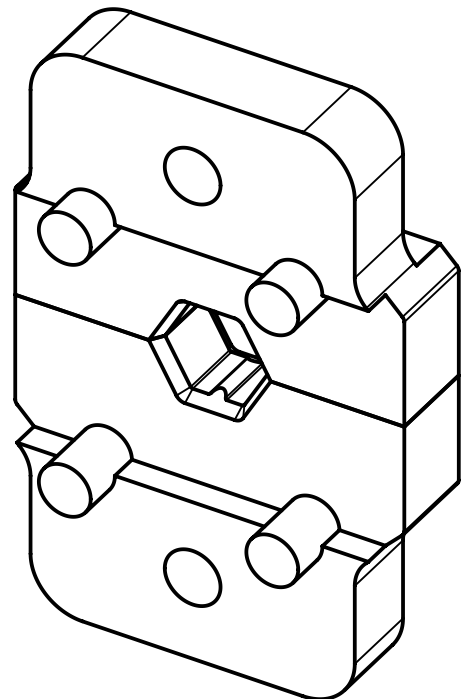
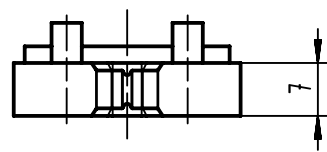


1 2 3 4 5 6

A
B
C
D



A-A



	All Dimensions in mm Original Size DIN A4		Scale 1:1	Free size tol.		Ref.		
						Sub.		
	All rights reserved		Created by WAERMKER	Inspected by HAERTLING	Standardisation HOFFMANN	Date 2016-09-07	State Final Release	
	Department EC PD - DE		Title Crimp inserts 7,0 for tool 09990000647				Doc-Key / ECM-Nr. 100688375/UGD/001/A 500000108651	
HARTING Electronics GmbH D-32339 Espelkamp			Type TB	Number 09990000648			Rev. A	Page 1/1