

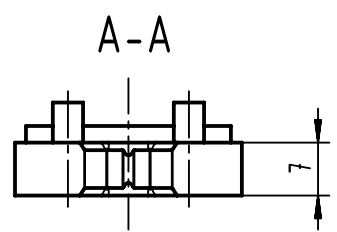
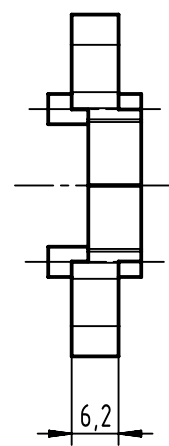
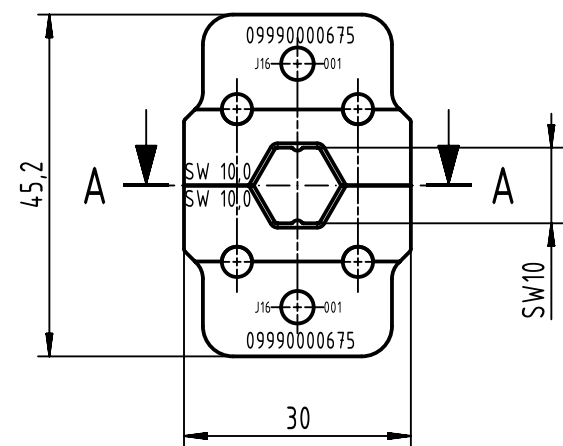
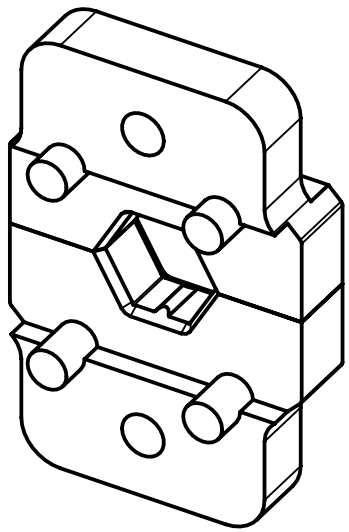
1 2 3 4 5 6


A

B

C

D



| | | | | | | | |
|---|---|--|---------------------------|---------------------------|--------------------|------------------------|--|
|  | All rights reserved Department EL PD | Created by WAERMKER | Inspected by HAERTLING | Standardisation 302077 | Date 2021-04-29 | State Final Release | |
| | | Title Crimp inserts 10,0 for tool 09990000647 | | | | | Doc-Key / ECM-Nr. 100723287/UGD/002/A 500000194278 |
| HARTING D-32339 Espelkamp | | Type TB | Number 09990000675 | | | Rev. A | Page 1/1 |