

1 2 3 4 5 6

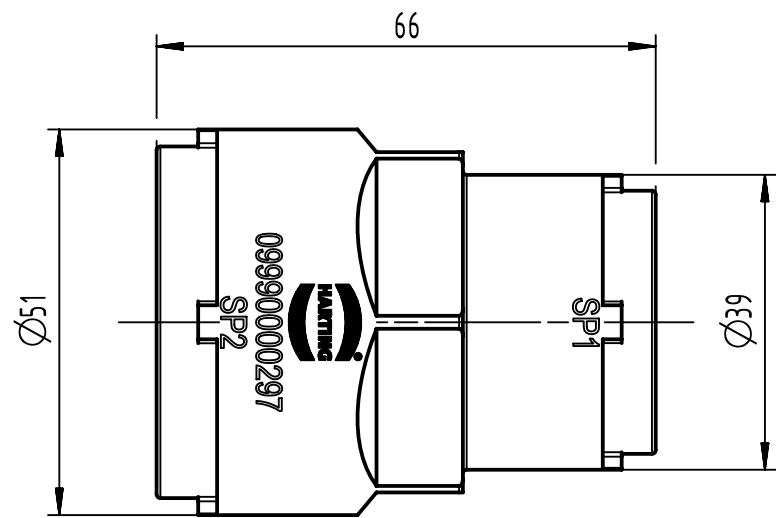
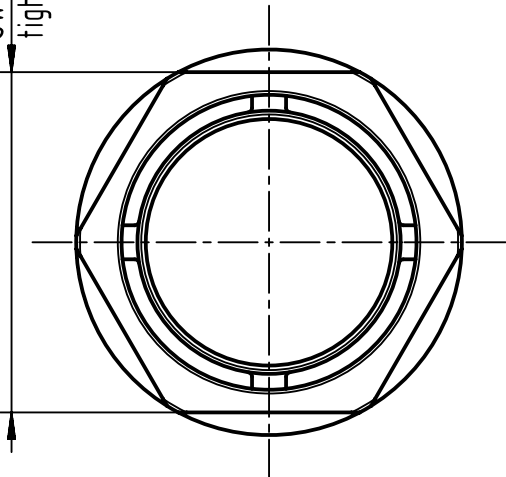
A


B

C

D

SW46  
tightening torque 15-18Nm



	All rights reserved Department EL PD		All Dimensions in mm Original Size DIN A4	Scale 1:1	Free size tol.		Ref. Sub.	
	HARTING D-32339 Espelkamp		Created by 407807	Inspected by DINGB	Standardisation ROEBEN	Date 2023-03-31	State Final Release	
Title Tool for single pole size 1&2						Doc-Key / ECM-Nr. 100973336/UGD/001/A 500000240472		
Type TB			Number 09 99 000 0297			Rev. A	Page 1/1	