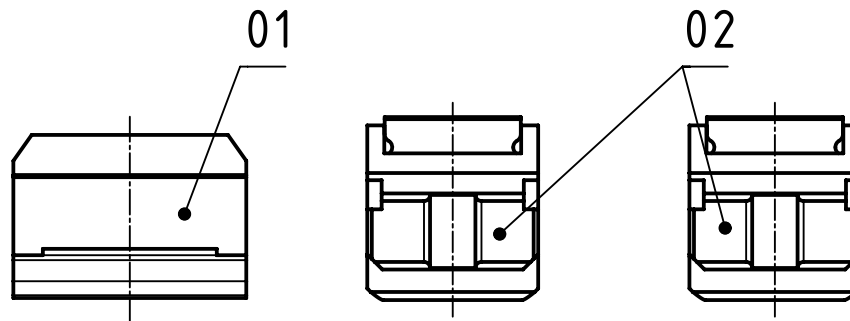
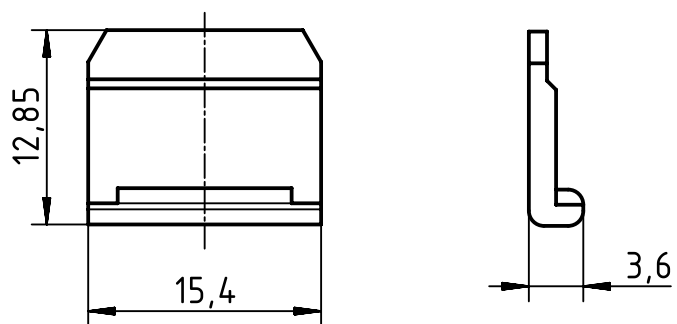
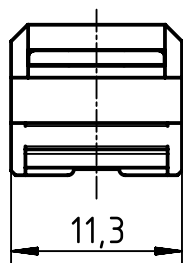
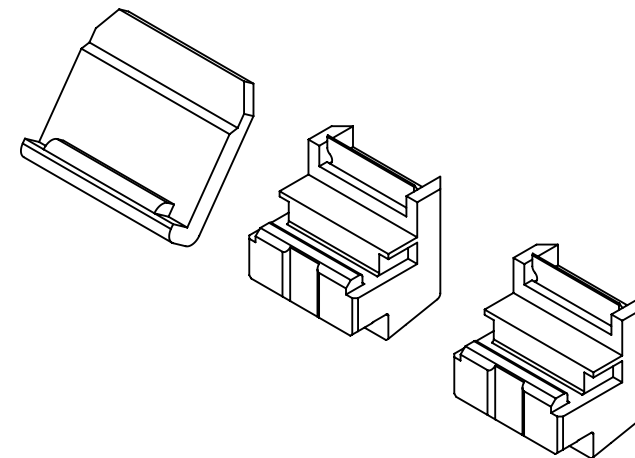
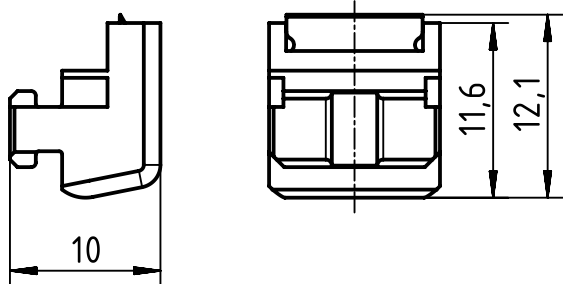



Pos. 01



Pos. 02



	All rights reserved		Scale 2:1		Free size tol.		Ref.	
	Department EL PD		Created by FINKEV	Inspected by RIEPE	Standardisation RUETERA	Date 2019-07-04	State Final Release	
HARTING Electric GmbH & Co. KG D-32339 Espelkamp		Title Stripping Blade Set / straight					Doc-Key / ECM-Nr. 100842237/UGD/001/A 500000154517	
		Type TB	Number 09 99 000 0981			Rev. A	Page 1/1	