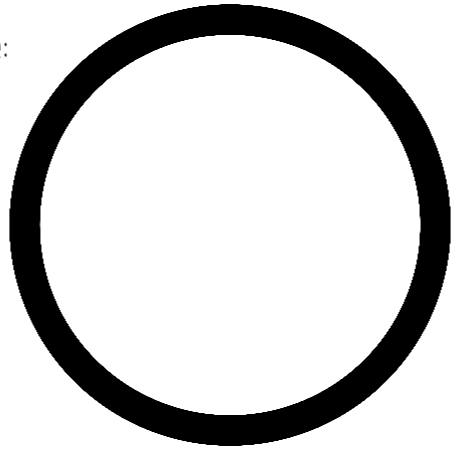


potential transition  
apply corrosion inhibitor on this face:  
  
Important: no inhibitor allowed  
on any adjacent surfaces e.g.  
inner thread



tightening torque:  
4Nm

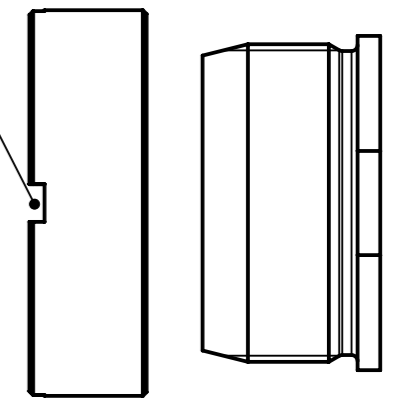
[1]  
tightening torque:  
24Nm


[2]  
tightening torque:  
50Nm

[3]  
tightening torque:  
24Nm

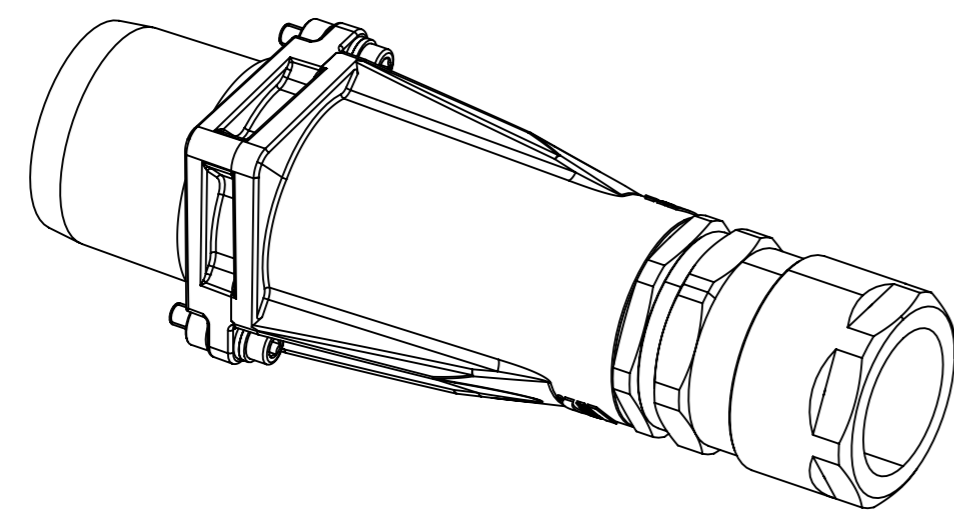
Han 1HC-M-TC 800 fixing elements

tightening torque  
5Nm






corrosion inhibitor, 4g tube  
not included in delivery  
can be ordered as an accessory  
(09990000969)  
tube design may differ from original



parts in scope of delivery are not assembled  
assembly instructions acc. to QR-code on packaging

 HARTING D-32339 Espelkamp	All Dimensions in mm Original Size DIN A3	Scale 1:1	Free size tol.	Ref. Sub.
	All rights reserved Department EL PD	Created by DEIMEL	Inspected by 104260	Standardisation
Title Han HPR SP3 185mm <sup>2</sup> shielded w/ CG				State Final Release
Type TB		Number 10 40 331 1115		Doc-Key / ECM-Nr. 100876681/UGD/002/B 500000256370
				Rev. B Page 1/1