

1 2 3 4 5 6

A

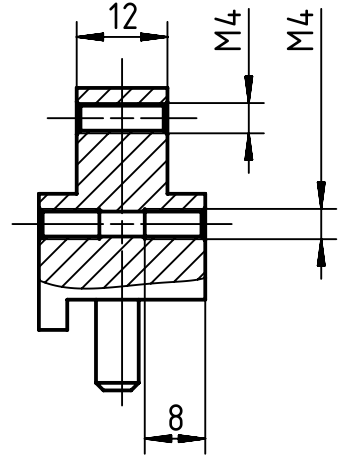
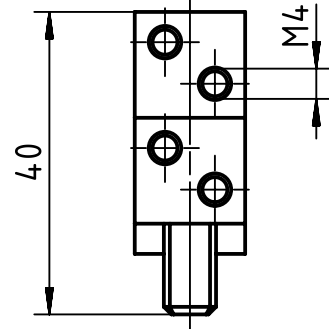
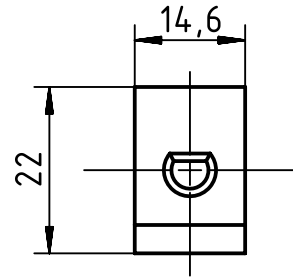
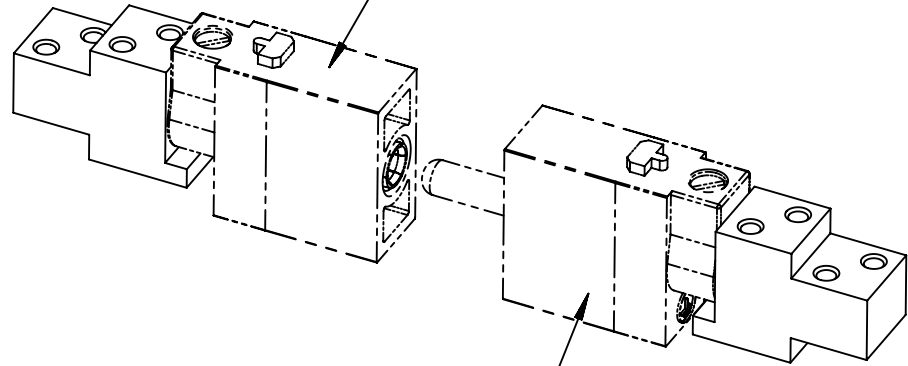
B

C

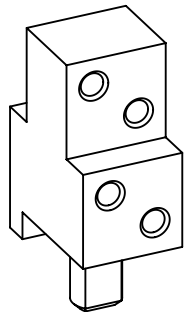
D


Han-Eco Modular PE female  
not included in delivery

Han-Eco Modular PE male  
not included in delivery



Only for use with Han-Eco Modular PE module  
part number : female 19 41 001 2700  
male 19 41 001 2600



	All rights reserved Department EL PD - DE	All Dimensions in mm Original Size DIN A4			Scale 1:1	Free size tol.	Ref. Sub.
		Created by MOELLERLI	Inspected by BEISCHER	Standardisation RUETERA	Date 2017-10-09	State Final Release	
HARTING Electric GmbH & Co. KG D-32339 Espelkamp		Title Han-Eco PE-Multiplier				Doc-Key / ECM-Nr. 100708477/UGD/001/D 500000126242	
		Type TB	Number 19 41 000 9999			Rev. D	Page 1/1