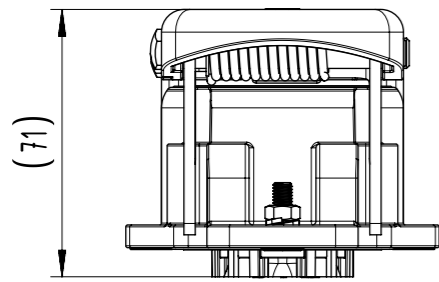
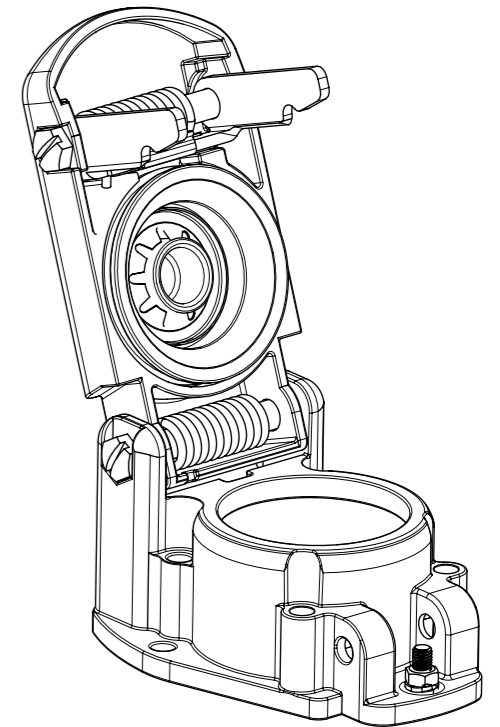
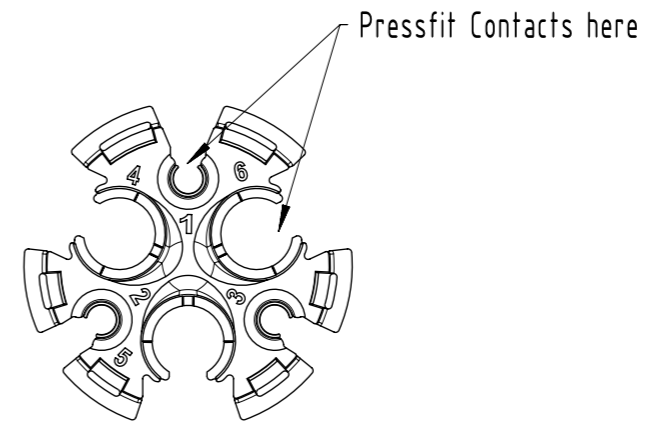
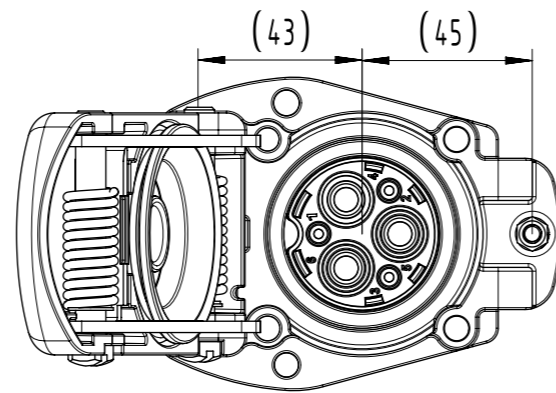


Insulation body

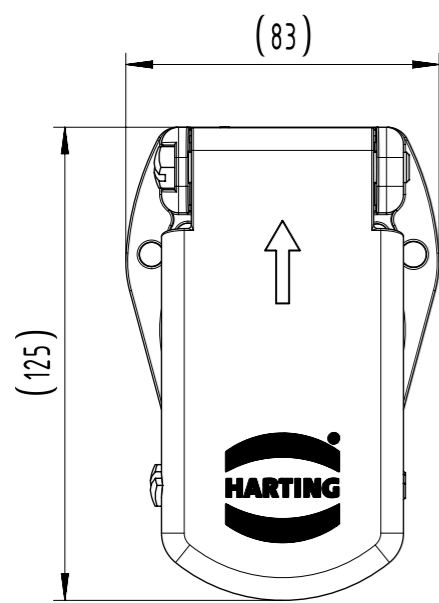
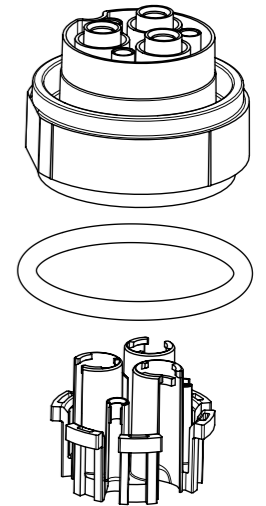


Lid at Closed condition

Lid at opened condition



Contact Carrier



NOTES:-

1. All the dimensions are only for reference purpose.
2. Assemble contacts position 1 to 1 with insulation body after insertion of contacts
3. Assembly using other coding is not possible.
4. Pressfit contacts through the contact chamber side opening in contact carrier for assembly.

! , C , P , X , XX or XX acc. to HWN 020.01.05 tolerancing ISO 8015

	All rights reserved Department EL PD	All Dimensions in mm Original Size DIN A3	Scale 1:1	Free size tol.	Ref. Sub.
		Created by 408146 Haridas	Inspected by 402933 Krishnasamy	Standardisation ROEBEN Röben	Date 2023-11-28
HARTING D-32339 Espelkamp		Title UIC-POWER70-SOCKET KIT-MC-AG			Doc-Key / ECM-Nr. 101096920/UGD/000/C 500000258465
		Type TB	Number 09580060023		Rev. C Page 1/1