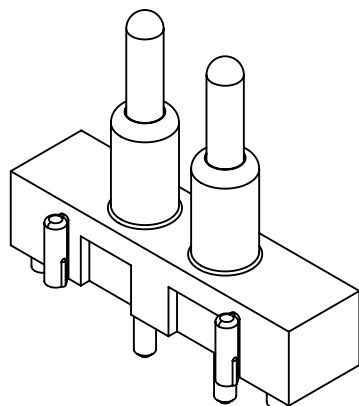
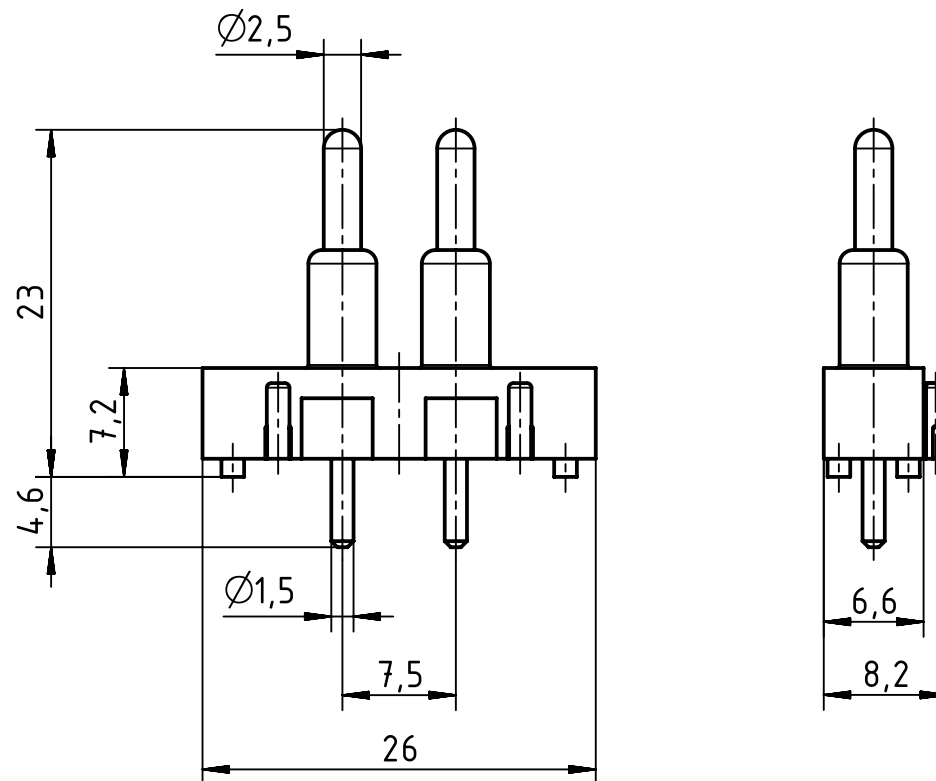
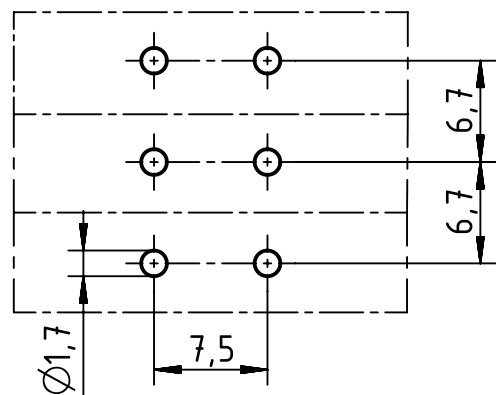


1 2 3 4 5 6


A

Layout of printed circuit boards



C

D

	All Dimensions in mm Original Size DIN A4		Scale 2:1		Free size tol.		Ref.			
	All rights reserved Department EL PD - DE		Created by KLASSEN P		Inspected by SCHNIEDER		Standardisation TIEMANNA			
HARTING Electric GmbH & Co. KG D-32339 Espelkamp		Title Han E LP-Adapter					Date 2017-02-22		State Final Release	
		Type TB					Number 09 33 000 9996		Doc-Key / ECM-Nr. 100088814/UGD/005/A 500000115896	
							Rev. A		Page 1/1	