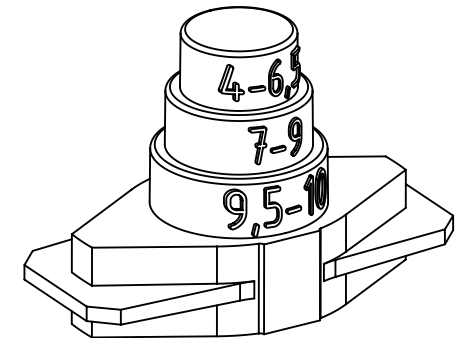
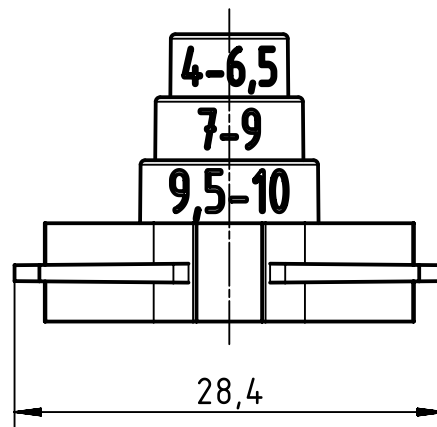
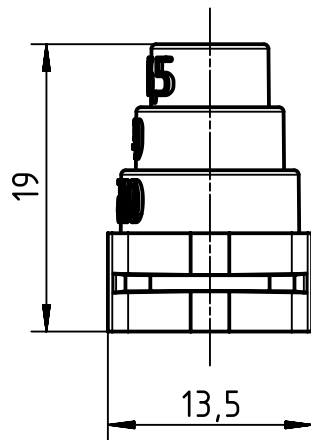


A

B

C

D



	All rights reserved Department EL PD HARTING Electric GmbH & Co. KG D-32339 Espelkamp	All Dimensions in mm Original Size DIN A4	Scale 2:1	Free size tol.		Ref. Sub.	
		Created by DEIMEL	Inspected by GRIEPENSTROH	Standardisation RUETERA	Date 2019-04-25	State Final Release	Doc-Key / ECM-Nr. 100802411/UGD/001/A 500000150049
		Title Flexbox bellows seal insert small 4-10mm				Rev. A	Page 1/1
		Type TB	Number 09 14 000 8100				