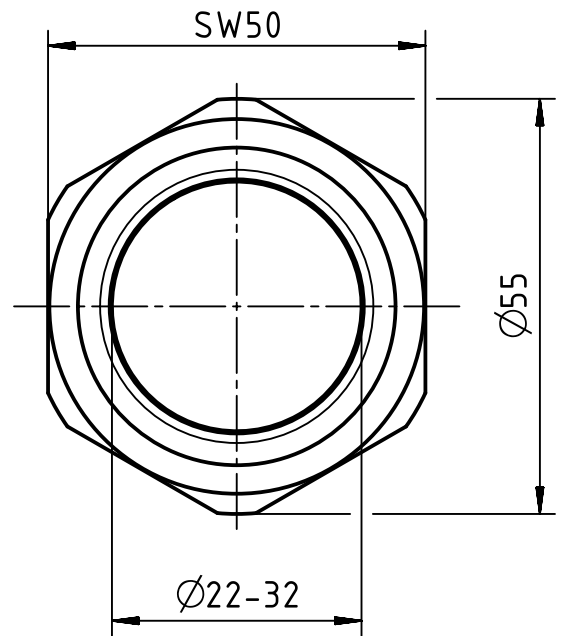
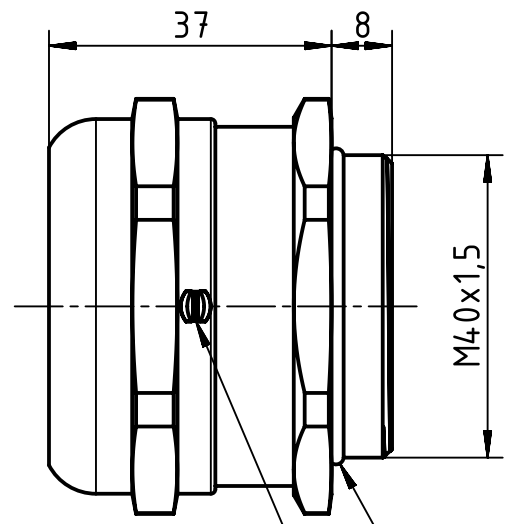


A

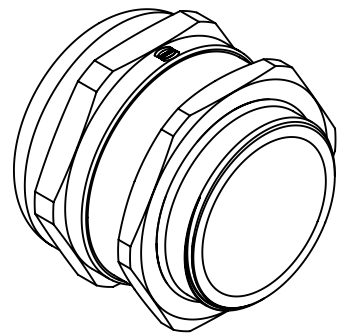
B

C

D



O-Ring included
 Position of the Logo may vary



	All Dimensions in mm Original Size DIN A4		Scale 1:1	Free size tol.		Ref.		
						Sub.		
	All rights reserved		Created by LONGL	Inspected by DINGB	Standardisation TIEMANNA	Date 2016-03-15	State Final Release	
	Department EL PD - DE		Title Han CGM-M M4.0x1,5 D.22-32mm				Doc-Key / ECM-Nr. 100191541/UGD/004/C 500000101773	
HARTING Electric GmbH & Co. KG D-32339 Espelkamp			Type TB	Number 19 00 000 5098			Rev. C	Page 1/1