

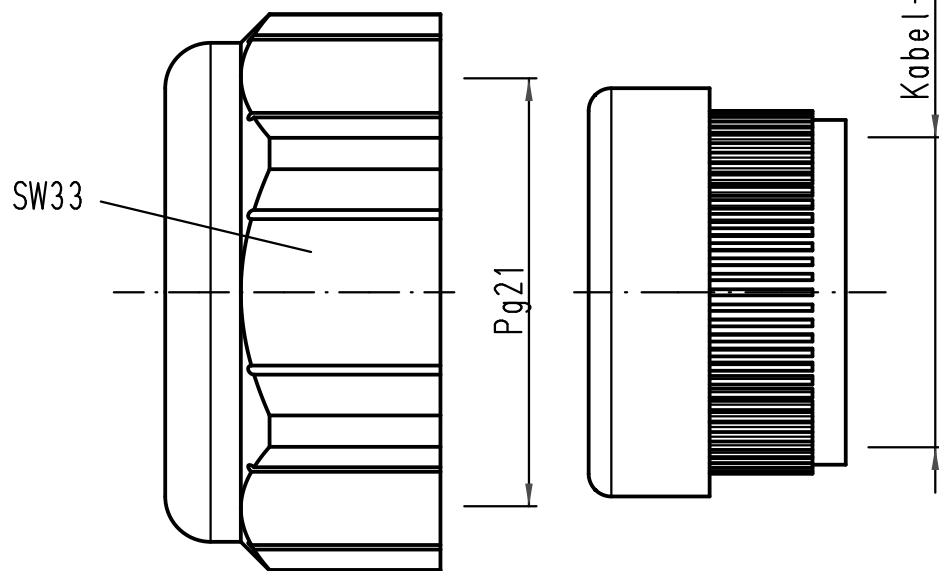
1 2 3 4 5 6

A

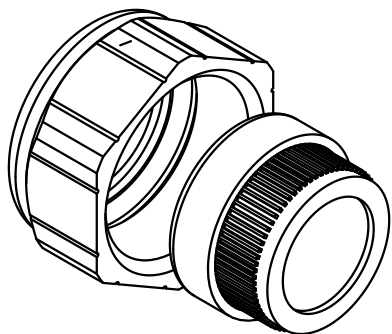
B

C

D



Für Tüllen- und Kupplungsgehäuse - Kunststoff
for hoods and cable to cable hoods - plastic



| | | | | | | | |
|------|------|---|--|---|-------------|---|---|
| | | All Dimensions in mm Original Size DIN A 4 | | Techn. Character. | | Nicht tolerierte Maßel Free size tolerances | |
| | | | | Dat. | Name | Maßstab/ Scale 2:1 | Han-Compact Halbverschraubung Pg21 half cable protection Pg21 |
| | | | | Detail. | 08.02.10 Ho | | |
| | | | | Insp. | Sch | | |
| | | | | Stand. | | | |
| A | | | | HARTING Electric GmbH & Co. KG D-32339 Espelkamp | | | TB 09 00 000 5158 |
| Mod. | Dat. | Name | | | | | |