

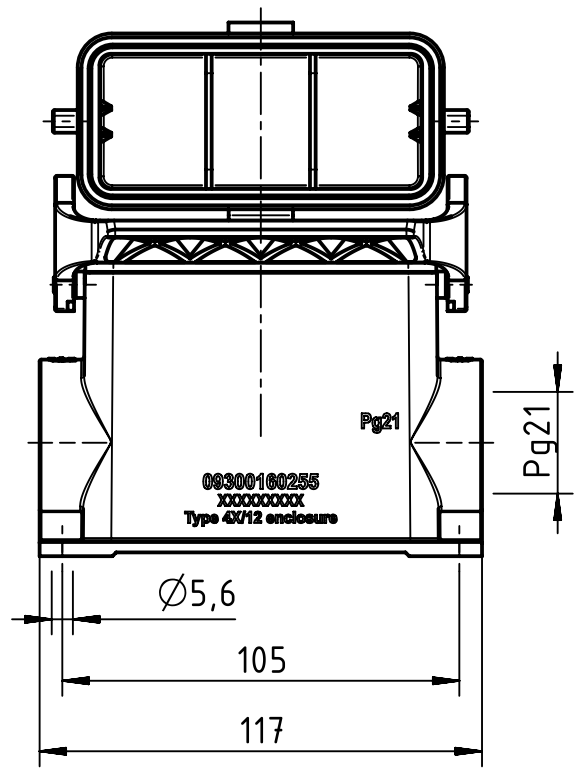
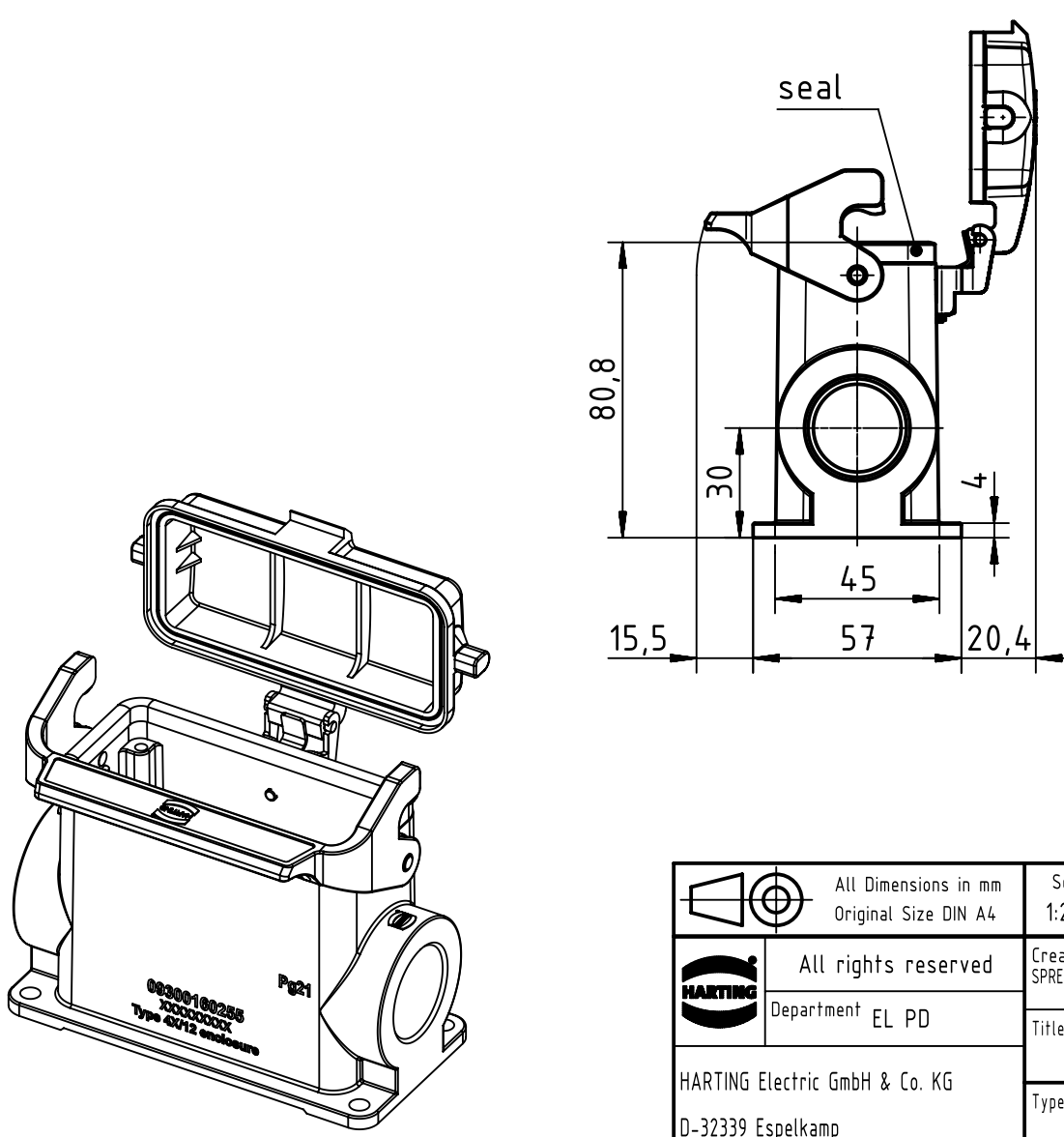
1 2 3 4 5 6

A

B

C

D



	All Dimensions in mm Original Size DIN A4		Scale 1:2	Free size tol.		Ref.		
						Sub.		
	All rights reserved		Created by SPRENB	Inspected by GERB	Standardisation GARSKE	Date 2020-01-07	State Final Release	
	Department EL PD		Title Han 16B-asg1-LB-K-21				Doc-Key / ECM-Nr. 100209868/UGD/004/C 500000162090	
HARTING Electric GmbH & Co. KG D-32339 Espelkamp			Type TB	Number 09 30 016 0255			Rev. C	Page 1/1