

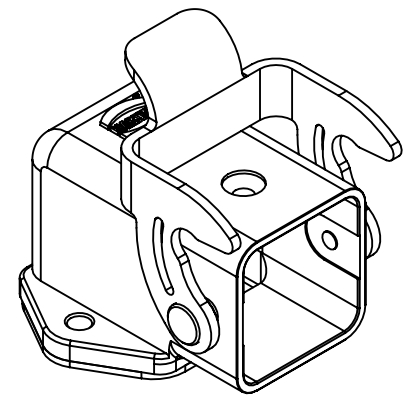
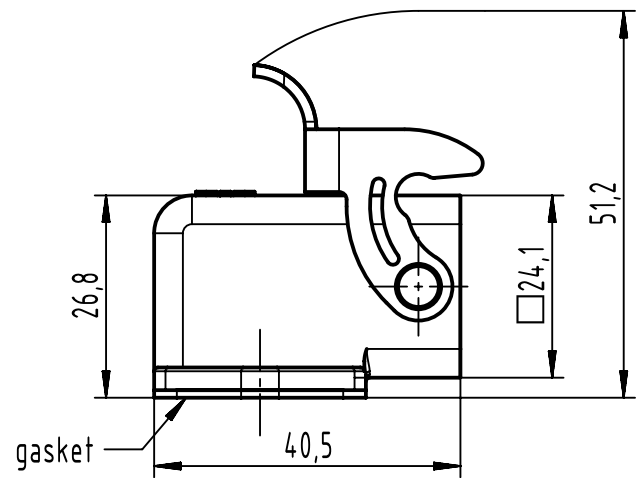
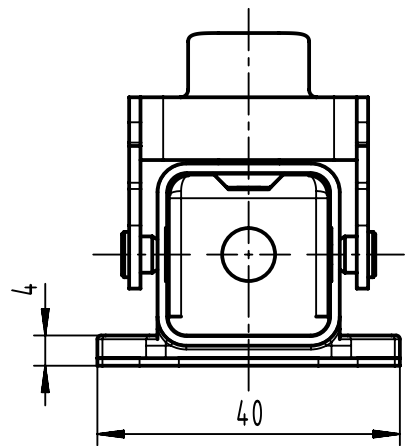
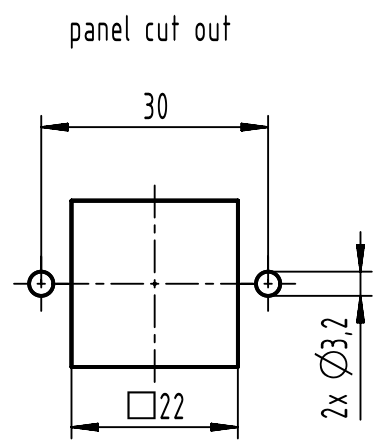
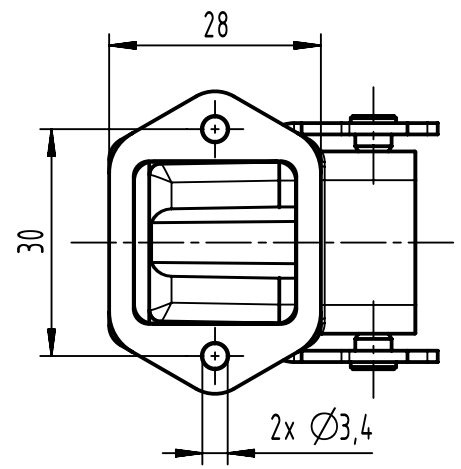
1 2 3 4 5 6

A

B

C

D



	All rights reserved Department EL PD	All Dimensions in mm Original Size DIN A4		Scale 1:1	Free size tol.		Ref.
		Created by YUA	Inspected by WANGSTE	Standardisation 302077	Date 2021-07-01	State Final Release	
HARTING D-32339 Espelkamp		Title Han 3A HMC-agw-QB			Doc-Key / ECM-Nr. 100958549/UGD/001/A 500000198506		
		Type TB	Number 09 20 203 0801		Rev. A	Page 1/1	