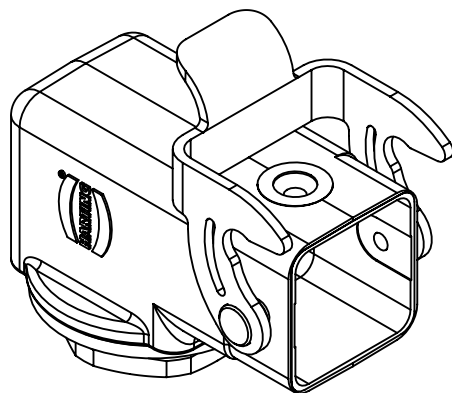
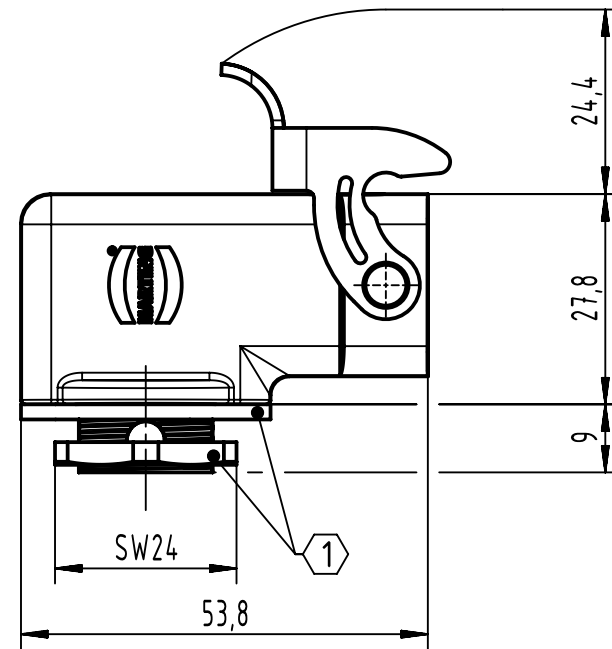
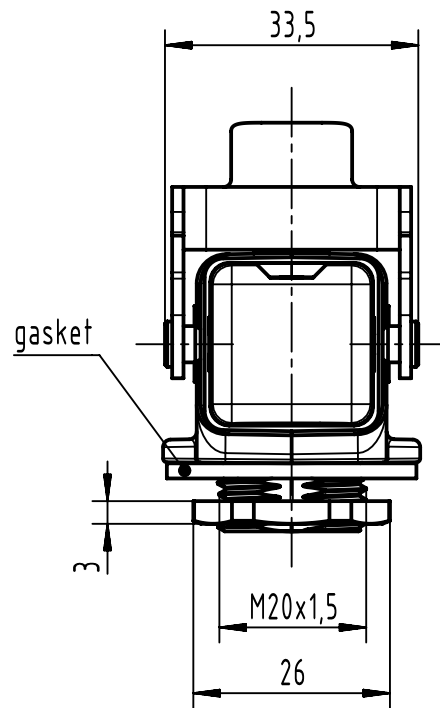
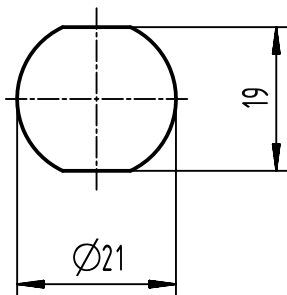


panel cut out



① enclosed separately

	All rights reserved Department EL PD	All Dimensions in mm Original Size DIN A4		Scale 1:1	Free size tol.	Ref.
		Created by YUA	Inspected by WANGSTE	Standardisation 302077	Date 2021-07-01	State Final Release
HARTING D-32339 Espelkamp		Title Han 3A HMC-Base angled-M20			Doc-Key / ECM-Nr. 100958620/UGD/001/A 500000198506	
		Type TB	Number 19 20 203 1160		Rev. A	Page 1/1